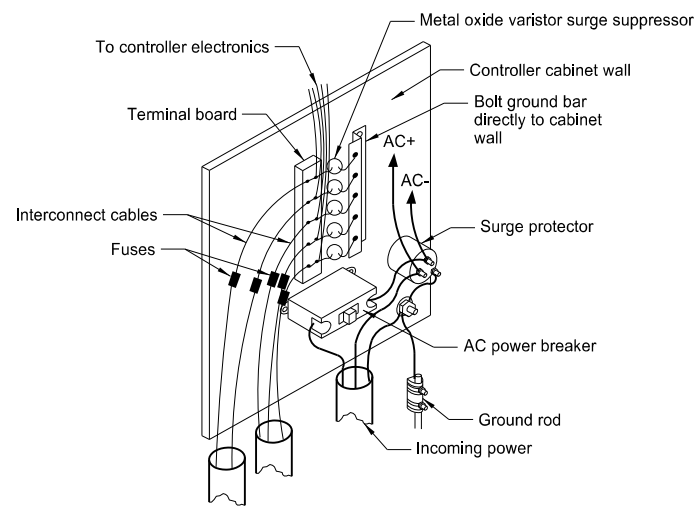
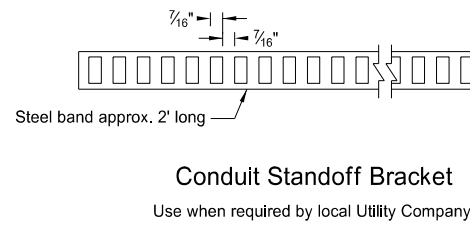
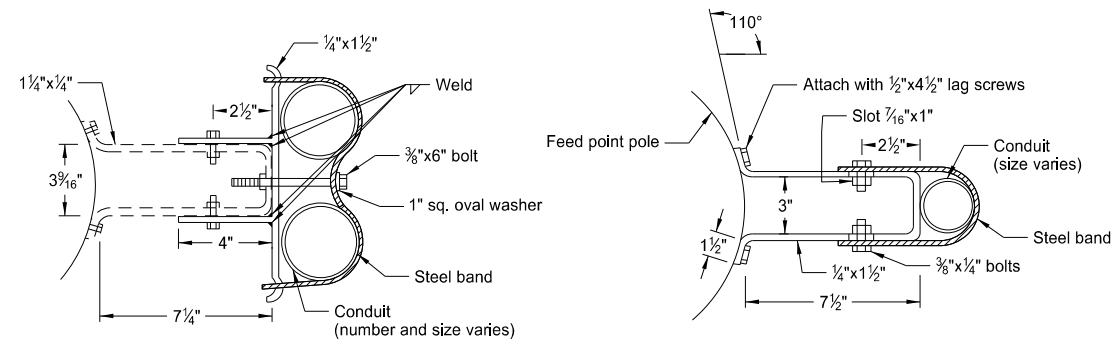
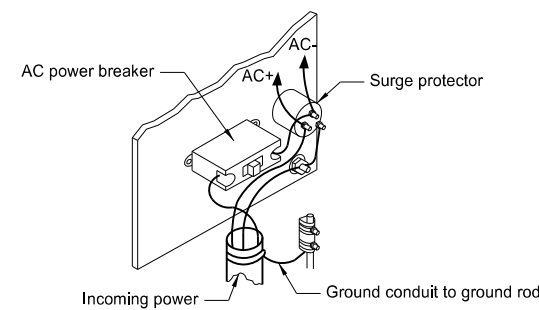


Circuit Breaker Cabinet Pad Mounted

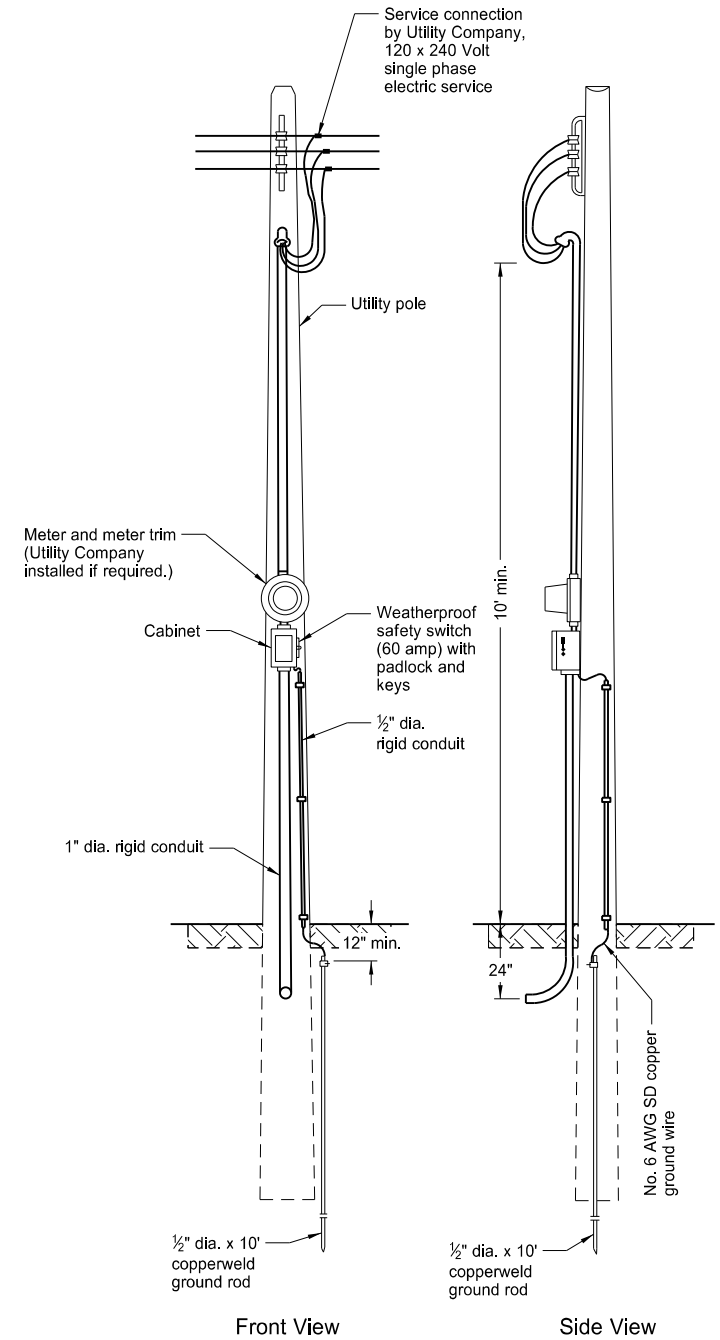
(A) Provide weatherproof cabinet, 56 in. high x 26 in. wide x 14 in. deep, 12 gauge steel (min.) or aluminum with provisions for padlock. Place one coat of primer and two coats of exterior dark green enamel on steel cabinet.



Controller Cabinet Interconnect and Power Cable Lightning Protection



Feed Point Cabinet Lightning Protection



NORTH DAKOTA DEPARTMENT OF TRANSPORTATION	
11-14-13	
REVISIONS	
DATE	CHANGE
10-17-17 8-28-19	Updated to active voice. New Design Engineer PE Stamp.

This document was originally issued and sealed by
 Kirk J Hoff
 Registration Number
 PE- 4683,
 on 8/28/19 and the original document is stored at the
 North Dakota Department
 of Transportation