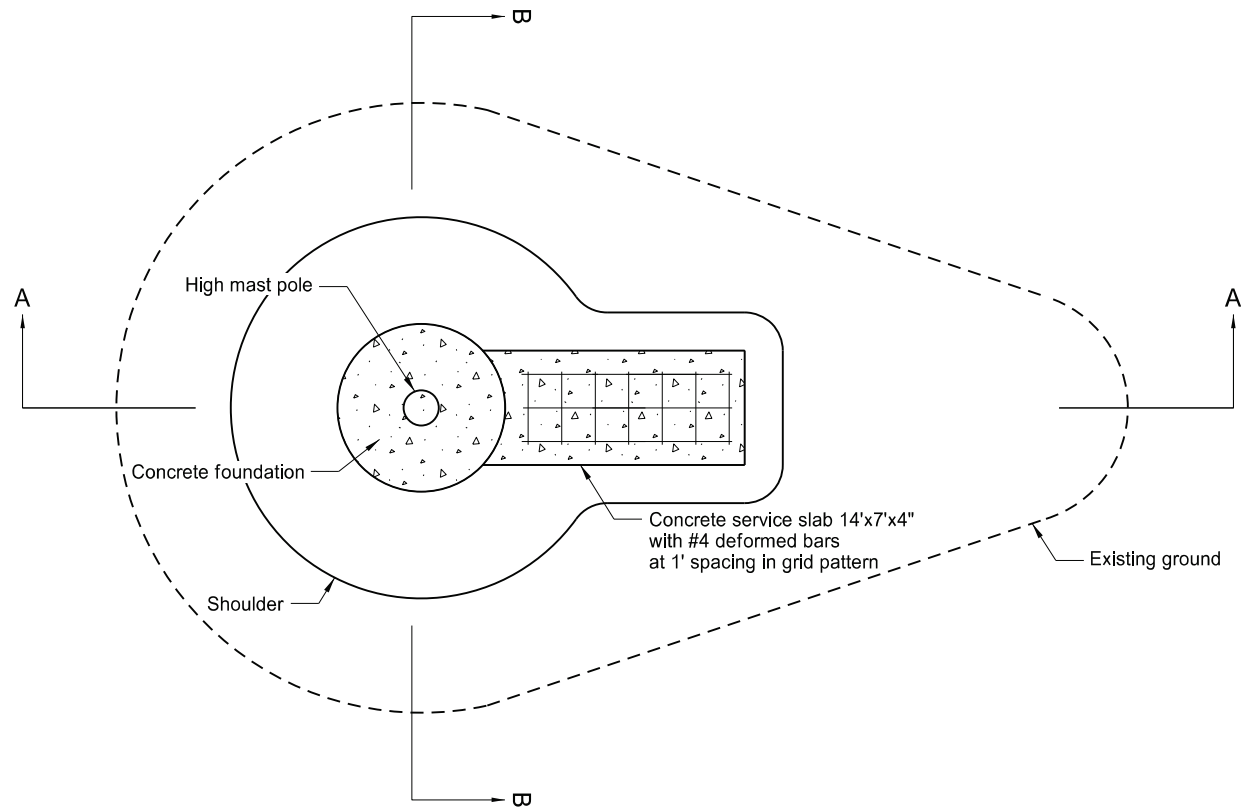
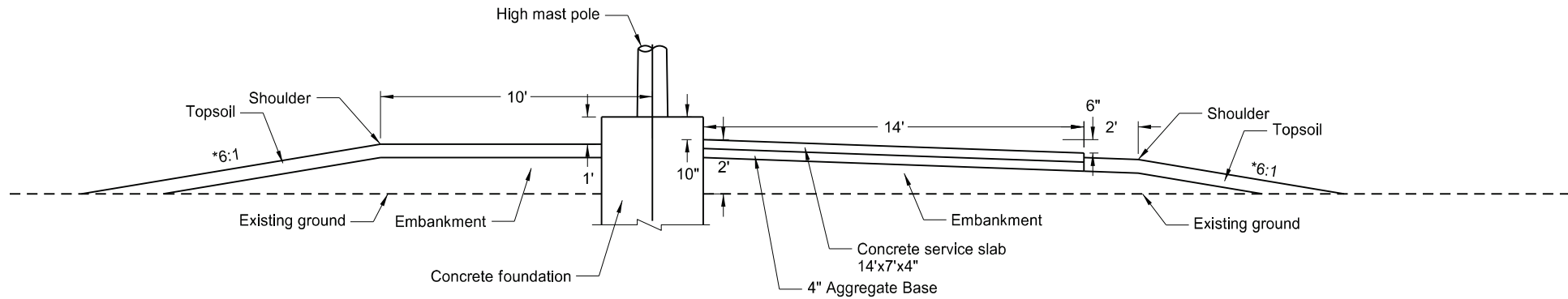


HIGH MAST LIGHTING BERM DETAILS

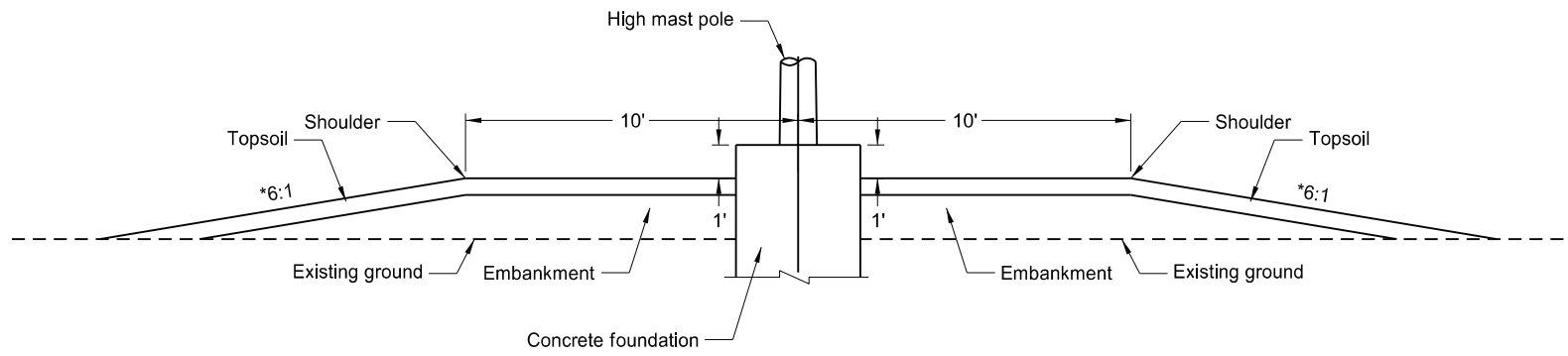
D-770-10



Plan View



Section AA



Section BB

*Use 6:1 if site conditions permit, otherwise 4:1 max slope is permitted.

NORTH DAKOTA DEPARTMENT OF TRANSPORTATION	
11-01-24	
REVISIONS	
DATE	CHANGE

