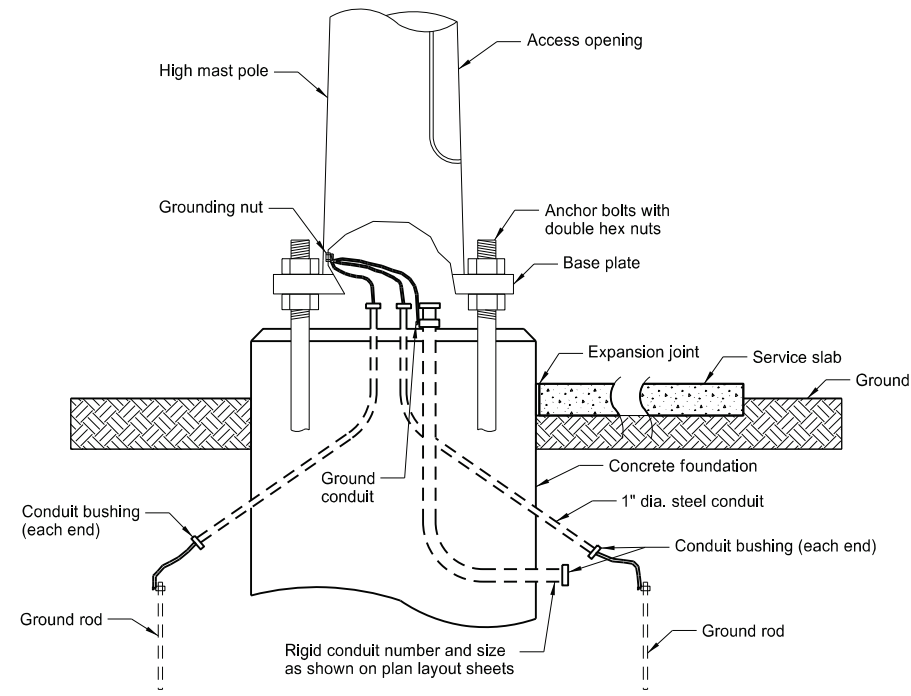
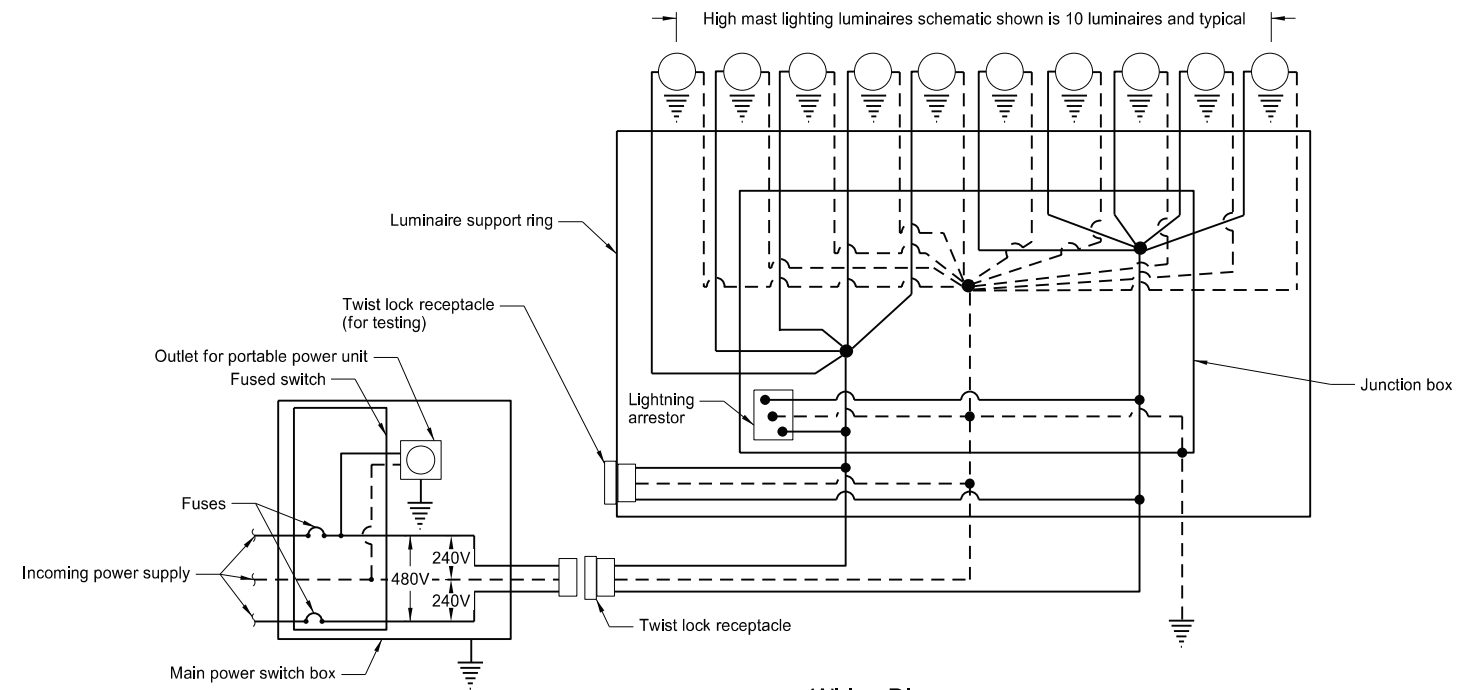


# HIGH MAST LIGHTING

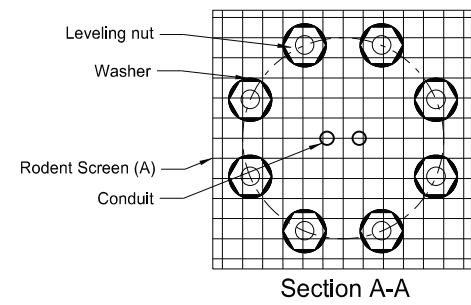
D-770-9



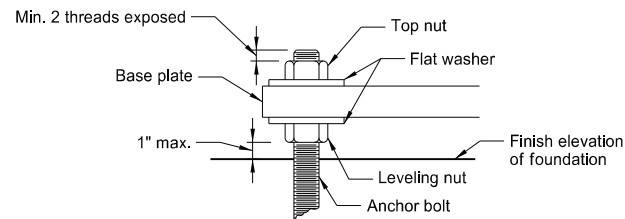
Conduit and Grounding Detail at Base



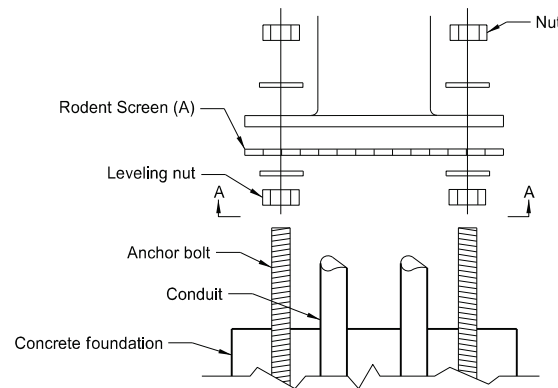
Wiring Diagram



Section A-A

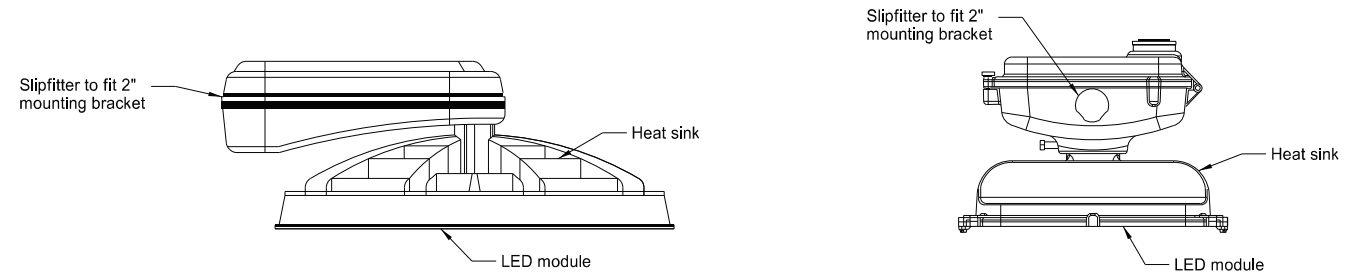


Anchor Bolt Detail



Elevation View Rodent Screen

(A) 1/4"x1/4" galvanized steel welded wire fabric (wire dia. 0.025") cut same size as base plate and form tightly around the conduit.



Typical LED Luminaire Details

NORTH DAKOTA DEPARTMENT OF TRANSPORTATION	
10-8-13	
REVISIONS	
DATE	CHANGE
11-01-24	Updated to 8 anchor bolts.

