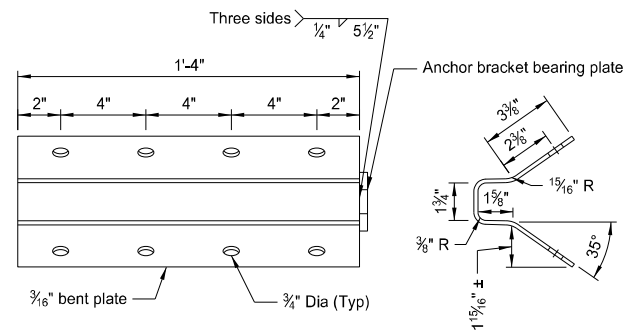
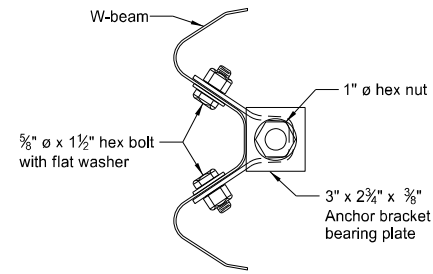


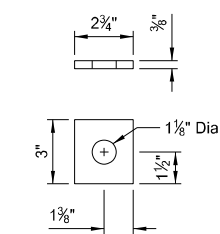
MGS TRAILING END ANCHOR



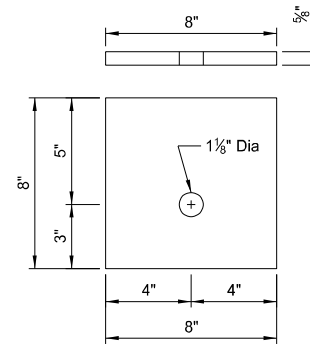
BCT ANCHOR BRACKET



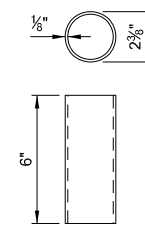
SECTION A-A



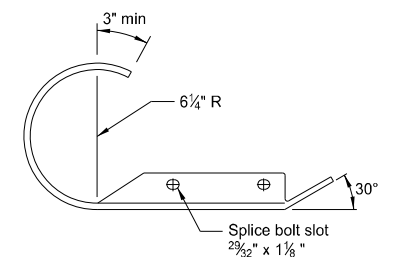
ANCHOR BRACKET BEARING PLATE



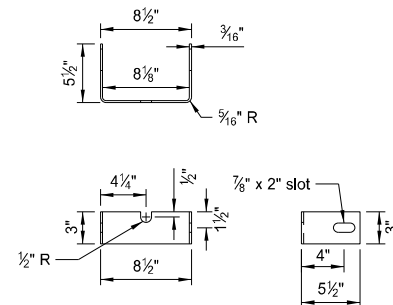
BEARING PLATE



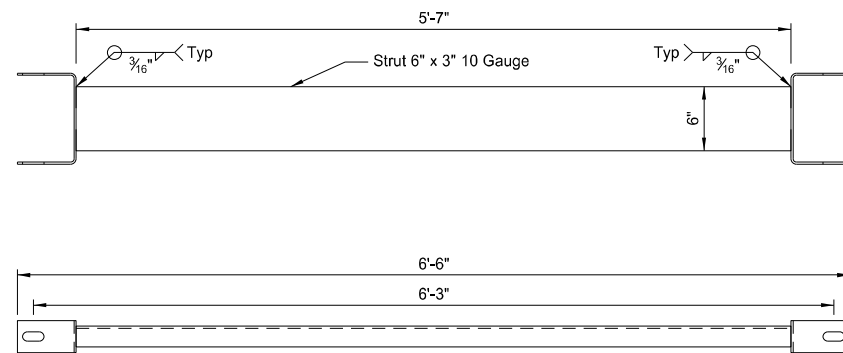
POST SLEEVE



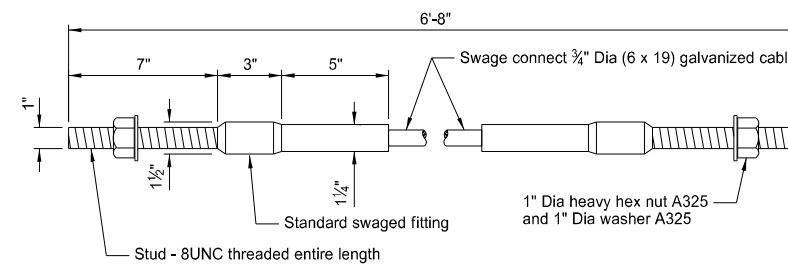
ROUNDED W BEAM END SECTION



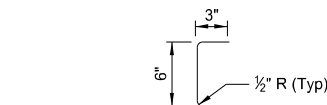
YOKE DETAIL



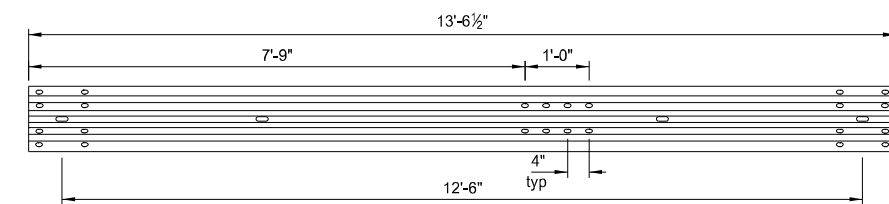
STRUT AND YOKE ASSEMBLY



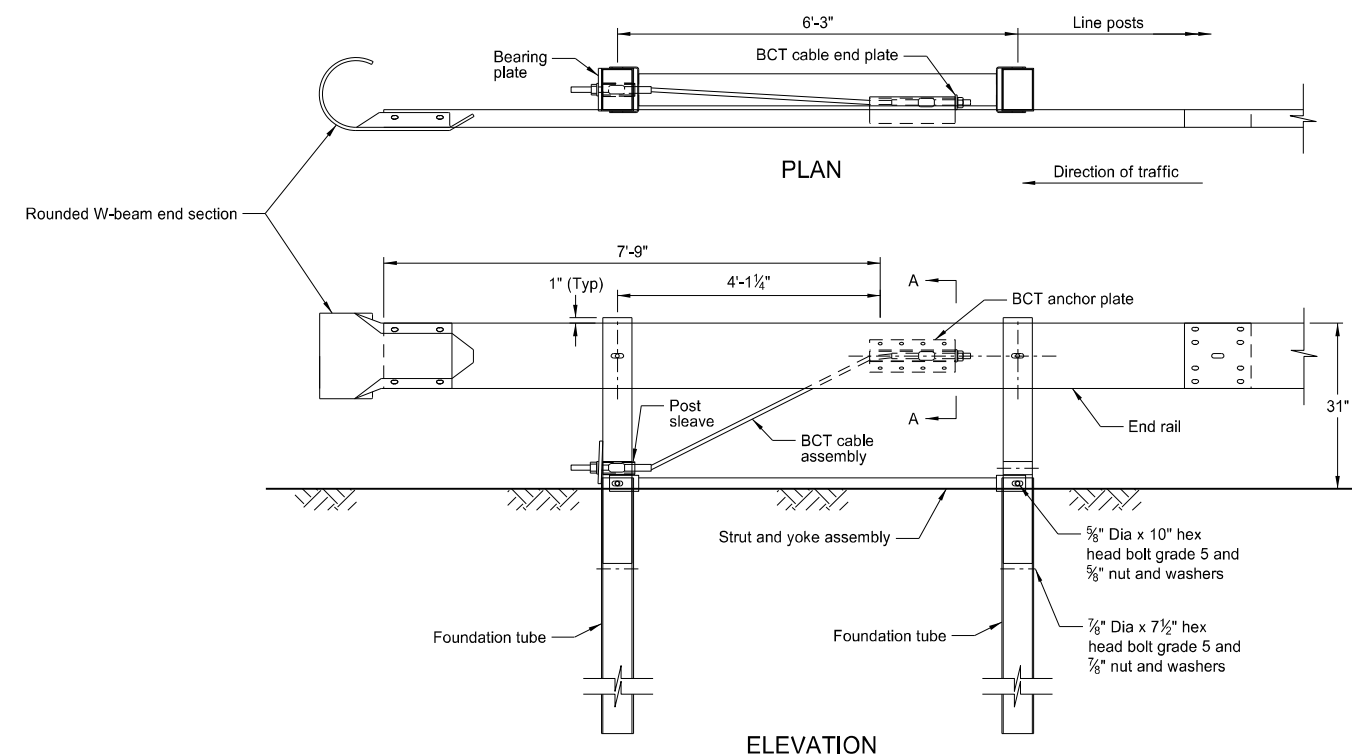
BCT CABLE ASSEMBLY



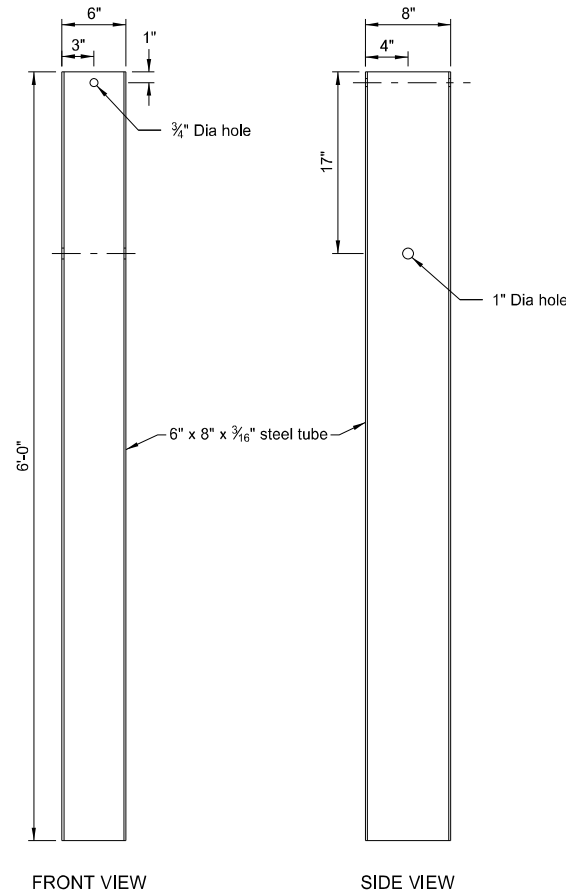
STRUT DETAIL



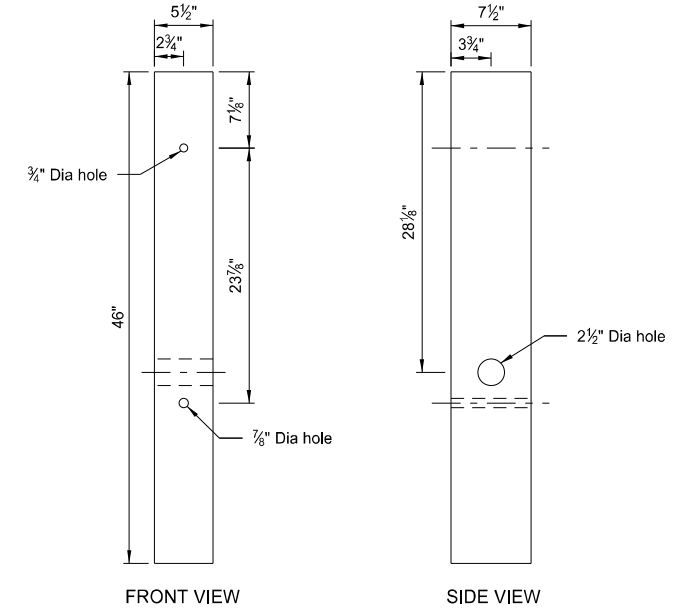
END RAIL



ELEVATION



FOUNDATION TUBE



BCT TIMBER POST

NORTH DAKOTA DEPARTMENT OF TRANSPORTATION	
7-14-17	
REVISIONS	
DATE	CHANGE
12/02/20	Updated text to active voice.

KIRK J. HOFF
REGISTERED PROFESSIONAL ENGINEER
PE-4683
NORTH DAKOTA
12 02 2020