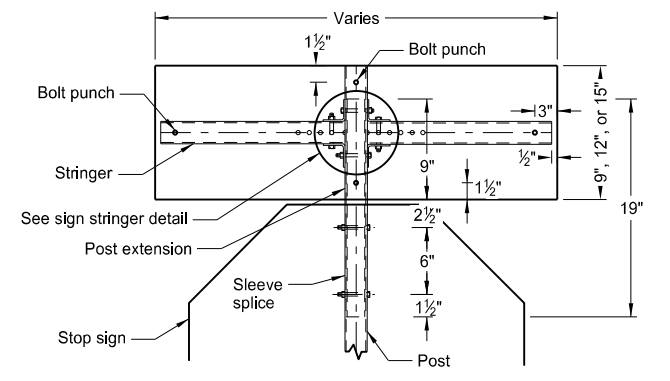
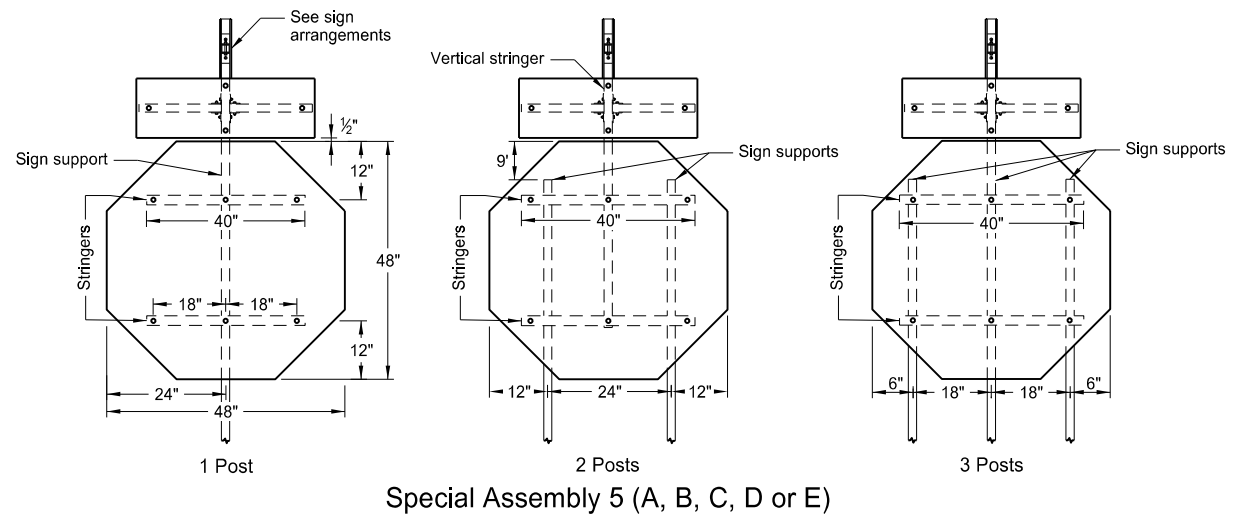
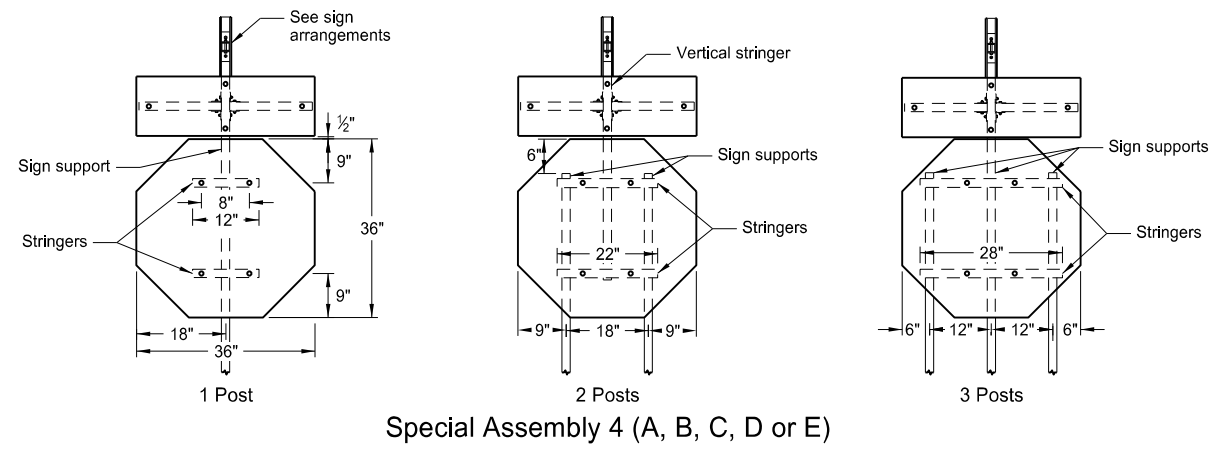
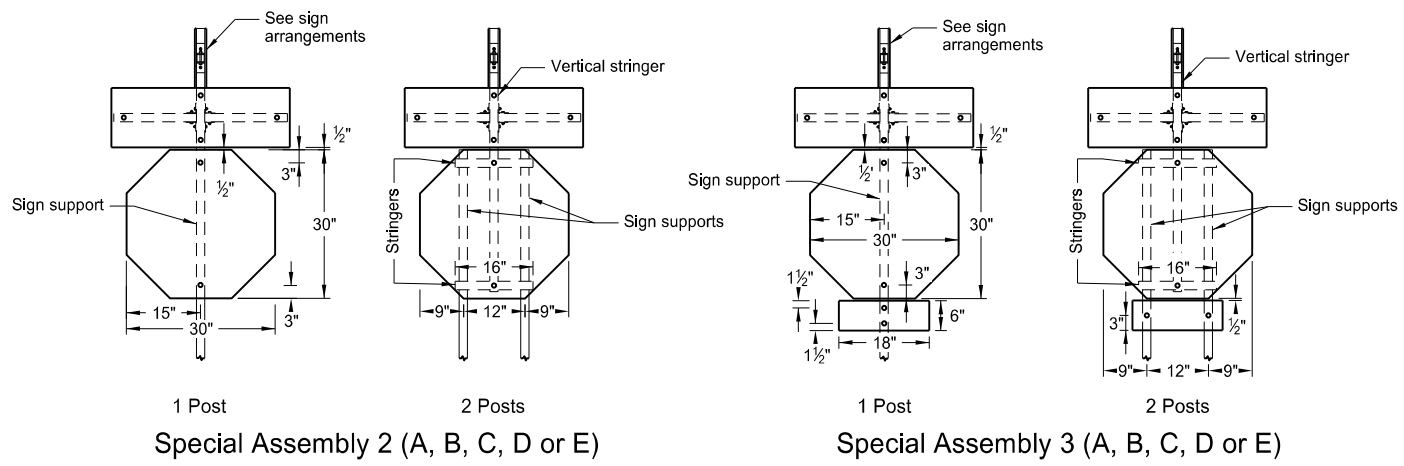
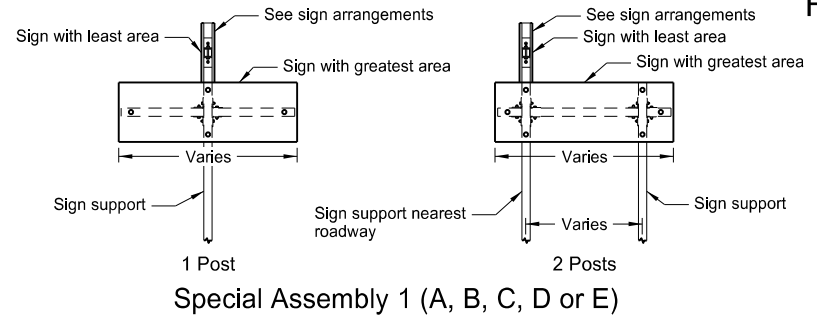
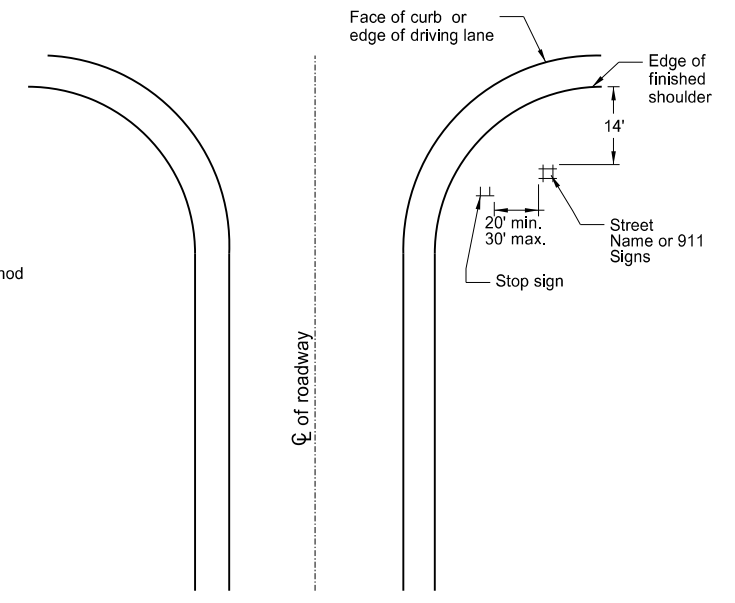
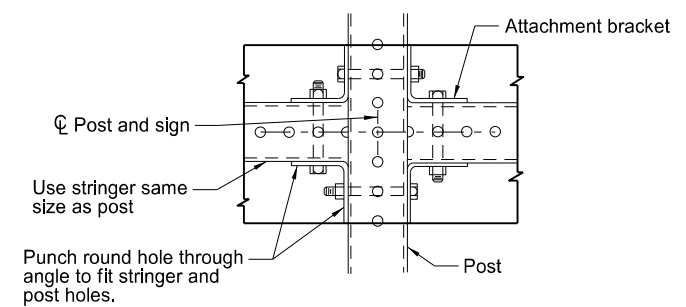


SIGN PUNCHING, STRINGER AND SUPPORT LOCATION DETAILS FOR STREET NAME SIGNS AND 911 SIGNS

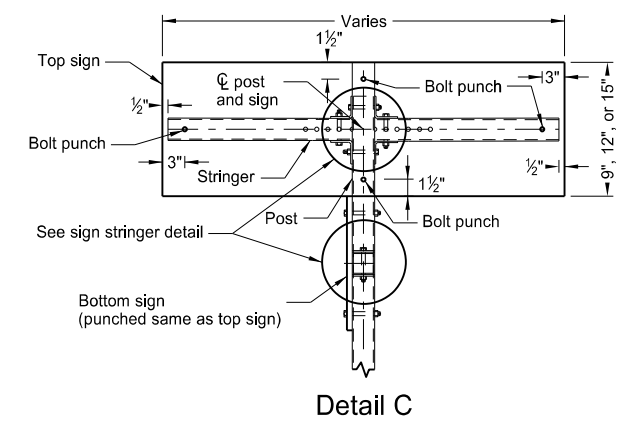
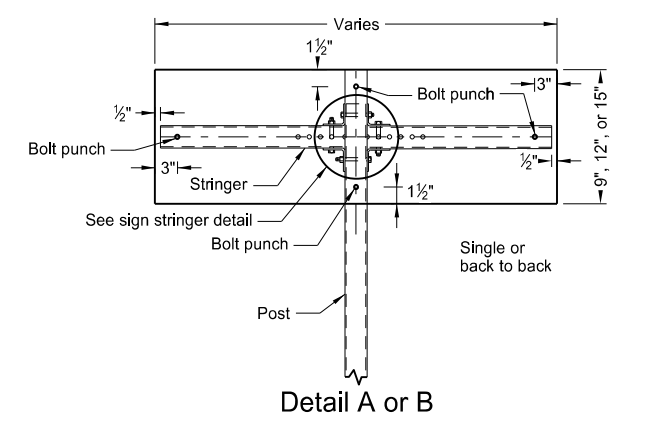
- A - Single sign
- B - Single sign back to back
- C - Single sign each direction
- D - Single sign one direction, back to back other direction
- E - Back to back both directions



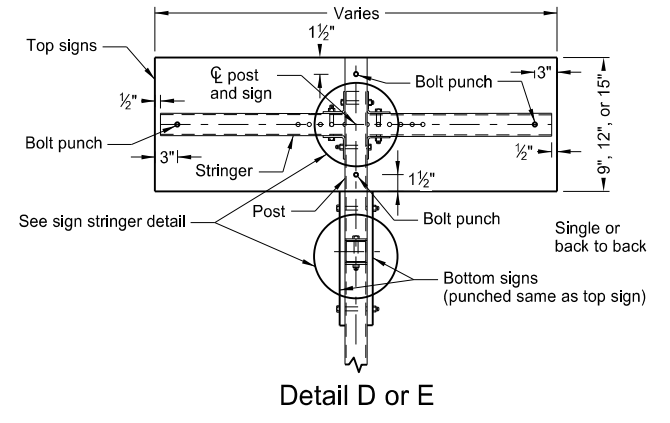
Note: Only use splice method with approval of engineer.



Note: Use layout for street name signs or 911 signs with Special Assembly 1.



Sign Arrangements



NORTH DAKOTA DEPARTMENT OF TRANSPORTATION	
10-3-13	
REVISIONS	
DATE	CHANGE
8-30-18	Added 2 post layout for SA1 and Updated notes to active voice.
9-05-19	New Design Engineer PE Stamp.

This document was originally issued and sealed by
 Kirk J Hoff,
 Registration Number
 PE- 4683,
 on 9/05/19 and the original document is stored at the North Dakota Department of Transportation