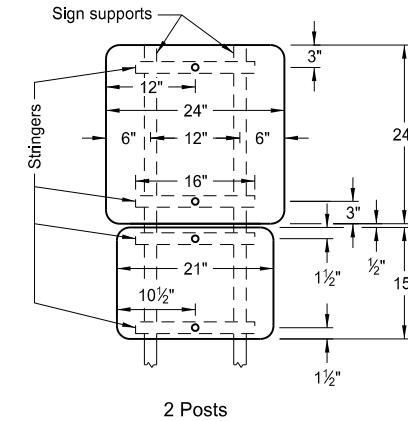
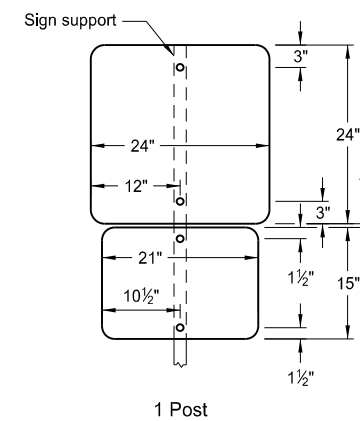
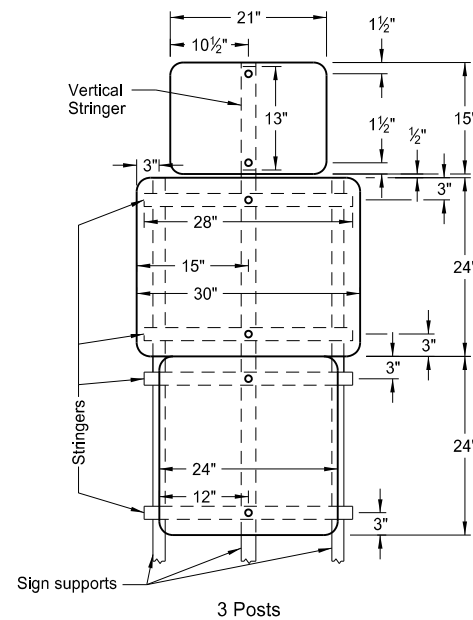
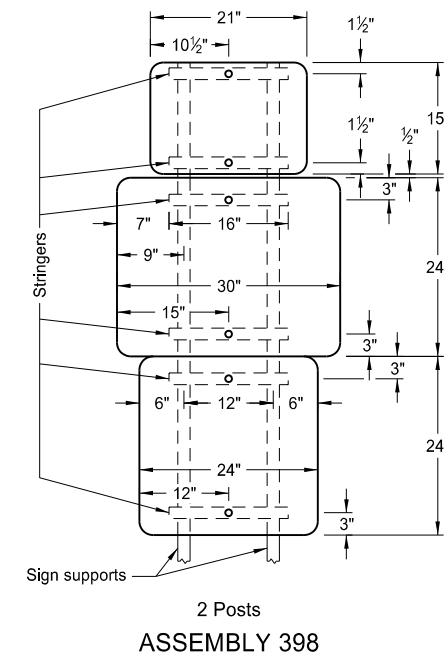
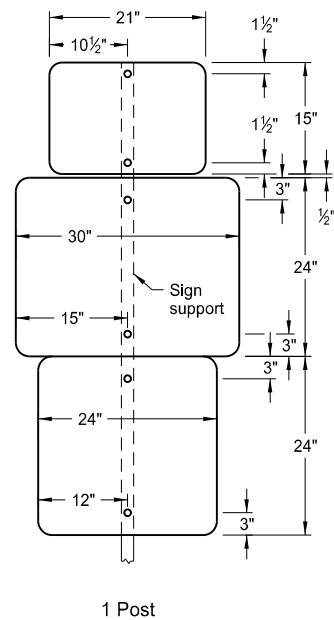
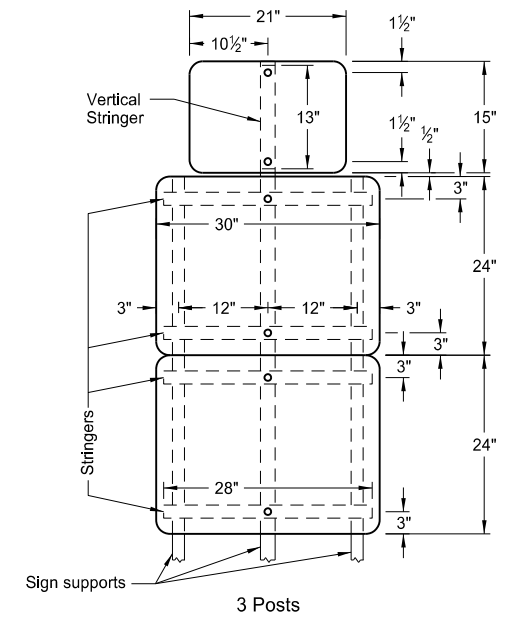
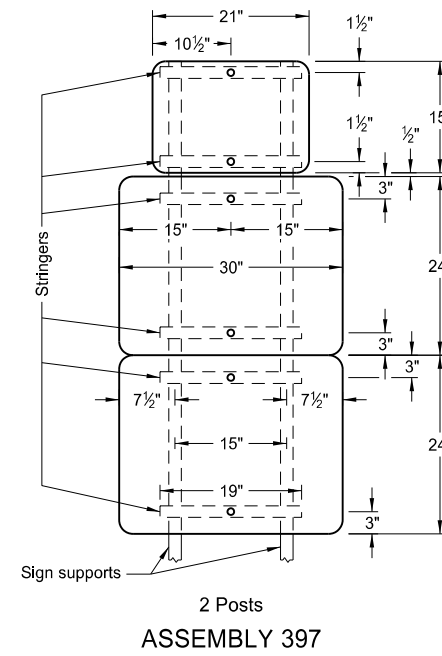
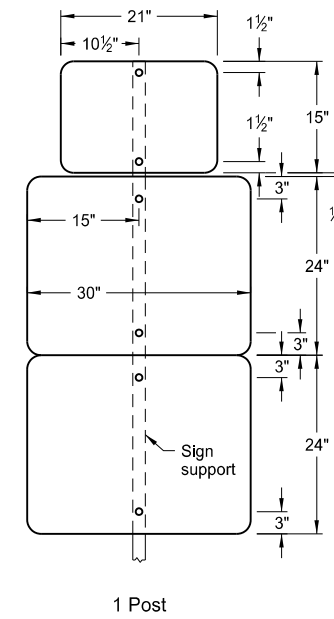
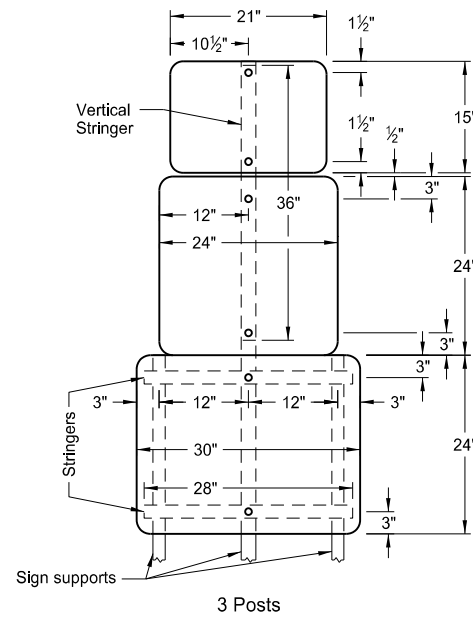
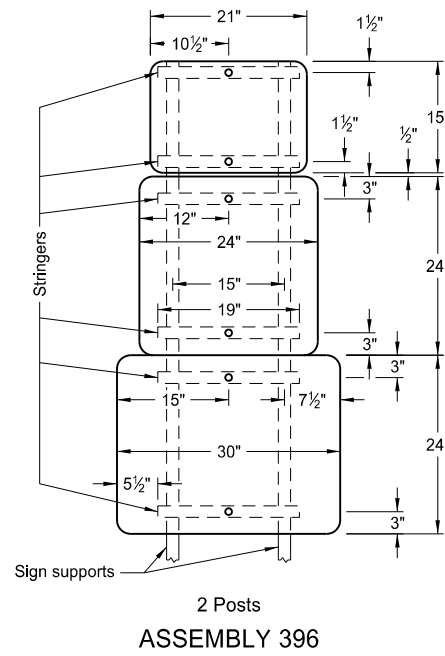
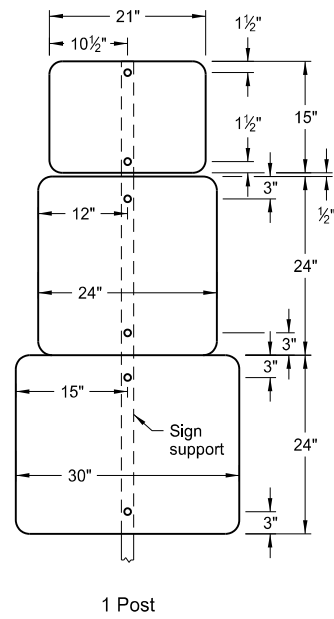


SIGN PUNCHING, STRINGER AND SUPPORT LOCATION DETAILS - ROUTE MARKER SIGNS

D-754-58



ASSEMBLY 399

- Notes:
1. Use 0.100 inch minimum thickness sign backing material.
 2. Use 1 1/2"x1 1/2" perforated square tube stringers.
 3. Punch holes round for 3/8" bolt.

NORTH DAKOTA DEPARTMENT OF TRANSPORTATION	
8-22-12	
REVISIONS	
DATE	CHANGE
8-30-18	Updated to active voice & added Assembly 398 dimension.
9-04-19	New Design Engineer PE Stamp.

This document was originally issued and sealed by
 Kirk J Hoff,
 Registration Number
 PE- 4683,
 on 9/04/19 and the original document is stored at the North Dakota Department of Transportation