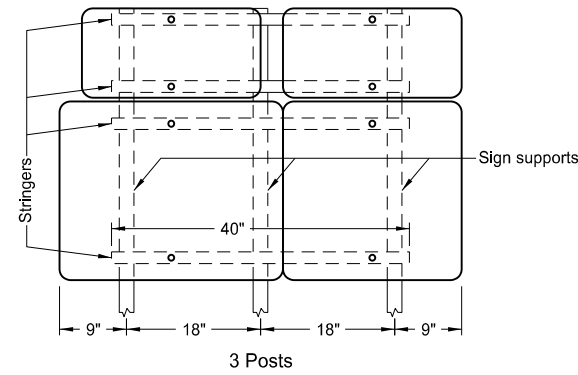
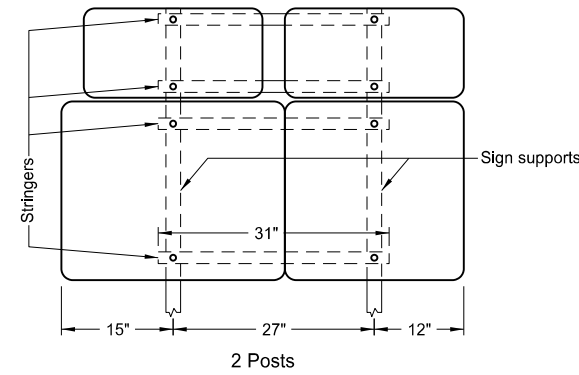
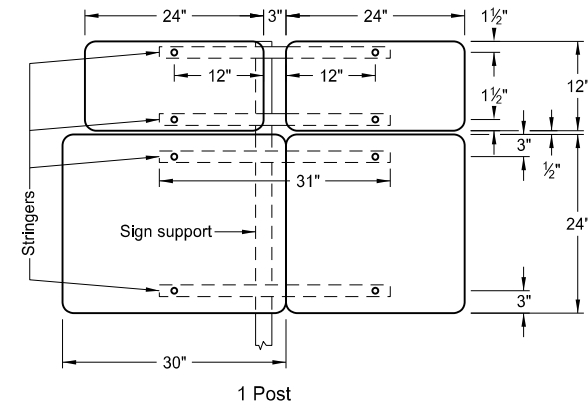


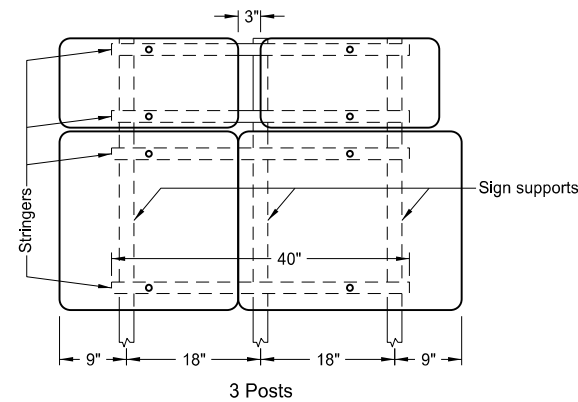
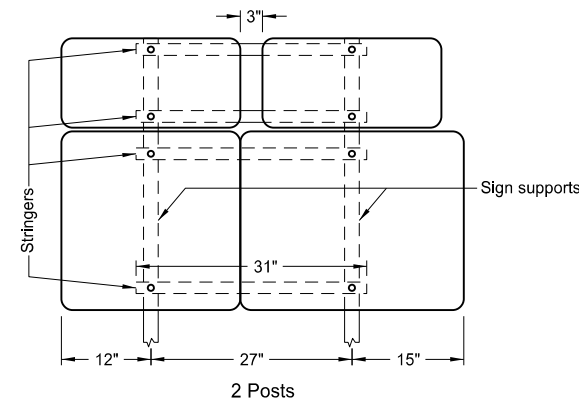
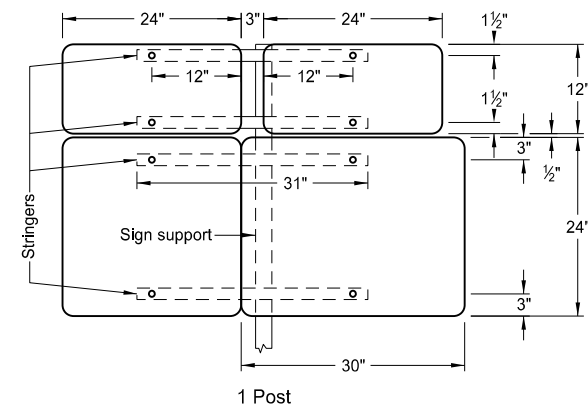
SIGN PUNCHING, STRINGER AND SUPPORT LOCATION DETAILS - ROUTE MARKER SIGNS

D-754-52

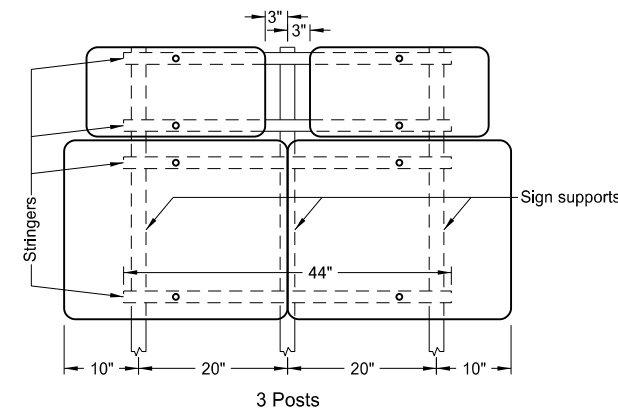
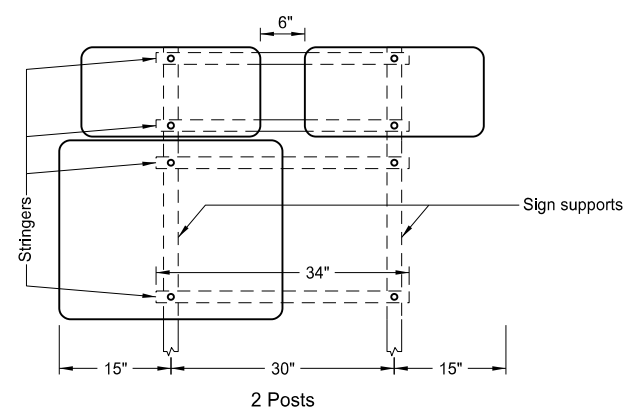
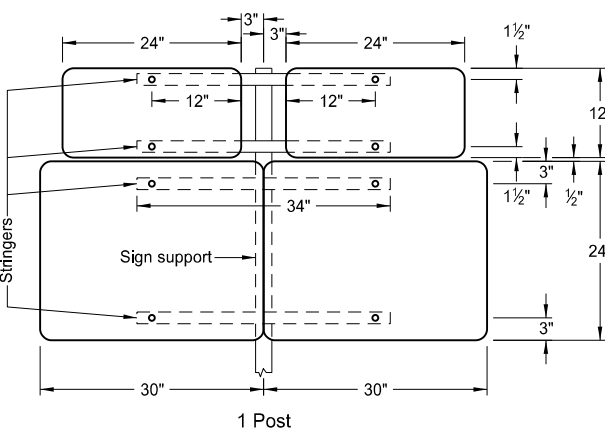
- Notes:
1. Use 0.100 inch minimum thickness sign backing material.
  2. Use 1½"x1½" perforated square tube stringers.
  3. Punch holes round for ⅜" bolt.



ASSEMBLY NO. 376



ASSEMBLY NO. 377



ASSEMBLY NO. 378

NORTH DAKOTA DEPARTMENT OF TRANSPORTATION	
8-22-12	
REVISIONS	
DATE	CHANGE
8-30-18	Updated notes to active voice.
9-04-19	New Design Engineer PE Stamp.

This document was originally issued and sealed by  
 Kirk J Hoff,  
 Registration Number  
 PE- 4683,  
 on 9/04/19 and the original document is stored at the  
 North Dakota Department  
 of Transportation