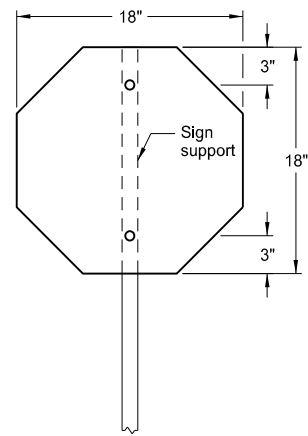
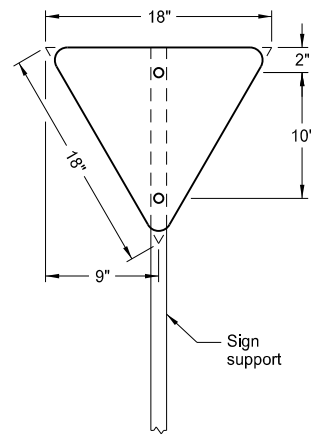


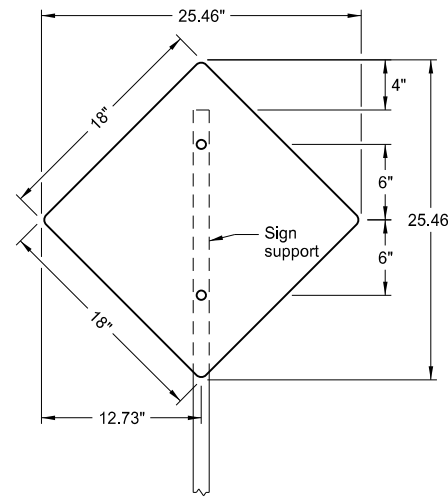
PUNCHING, STRINGER, AND SUPPORT LOCATION DETAILS FOR REGULATORY, WARNING AND GUIDE BIKE ROUTE SIGNS



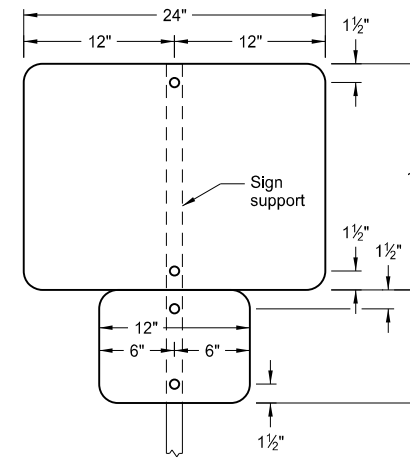
1 Post  
Assembly No. 100



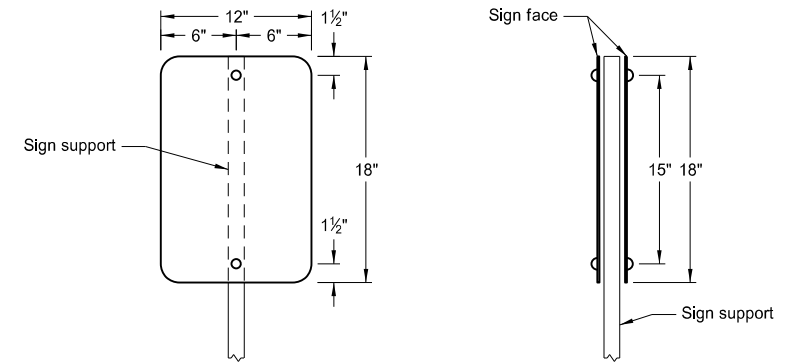
1 Post  
Assembly No. 101



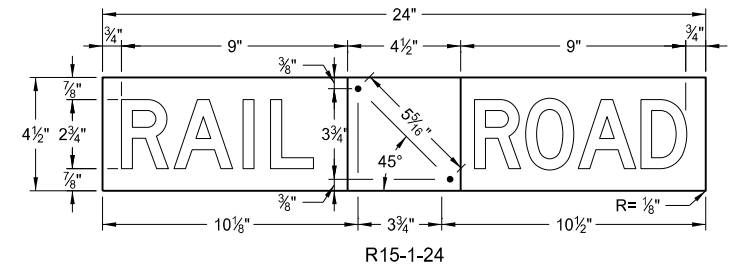
1 Post  
Assembly No. 102



1 Post  
Assembly No. 103

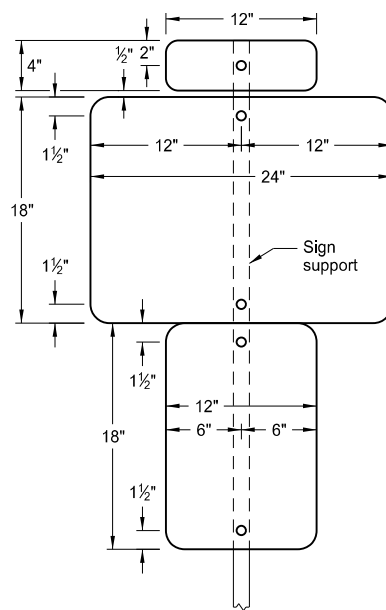


1 Post  
back to back  
Assembly No. 104

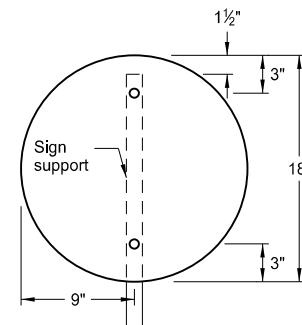
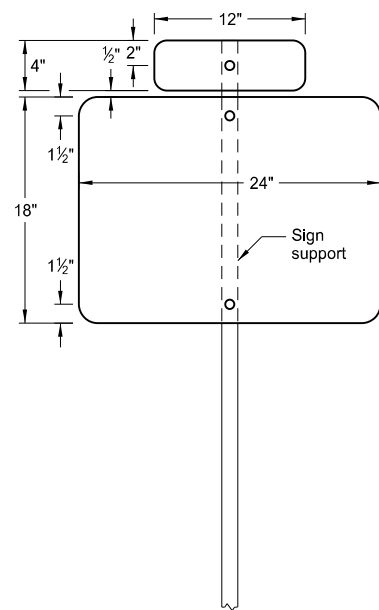


White reflectorized background  
Black non-reflectorized letters  
Punch holes round for 3/8" dia bolts. Rotate bolt location 90 degrees from detail above.

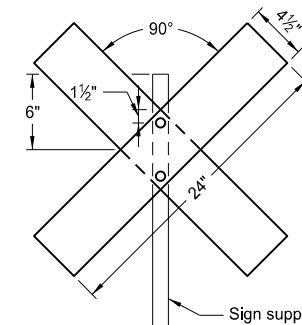
R15-1-24  
Railroad Crossing Sign Details



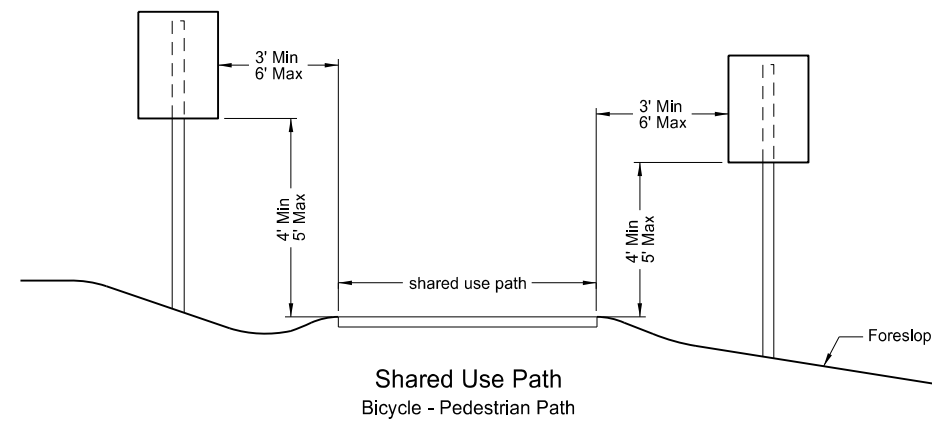
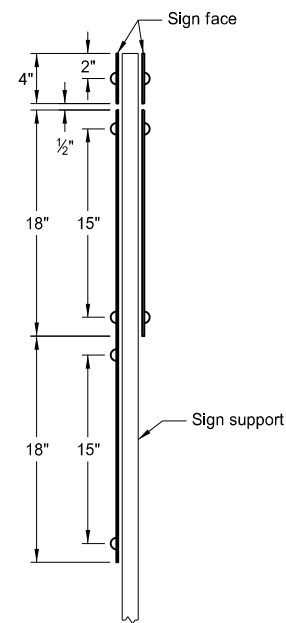
1 Post  
back to back  
Assembly No. 105



1 Post  
Assembly No. 106



1 Post  
Assembly No. 107



Shared Use Path  
Bicycle - Pedestrian Path

- Notes:
1. Use 0.100 inch minimum thickness sign backing material.
  2. Punch holes round for 3/8" bolt.

NORTH DAKOTA DEPARTMENT OF TRANSPORTATION	
8-22-12	
REVISIONS	
DATE	CHANGE
9-18-15	Revised Title Name.
8-30-18	Updated notes to active voice.
9-04-19	New Design Engineer PE Stamp.

This document was originally issued and sealed by  
Kirk J Hoff,  
Registration Number  
PE- 4683,  
on 9/04/19 and the original document is stored at the North Dakota Department of Transportation