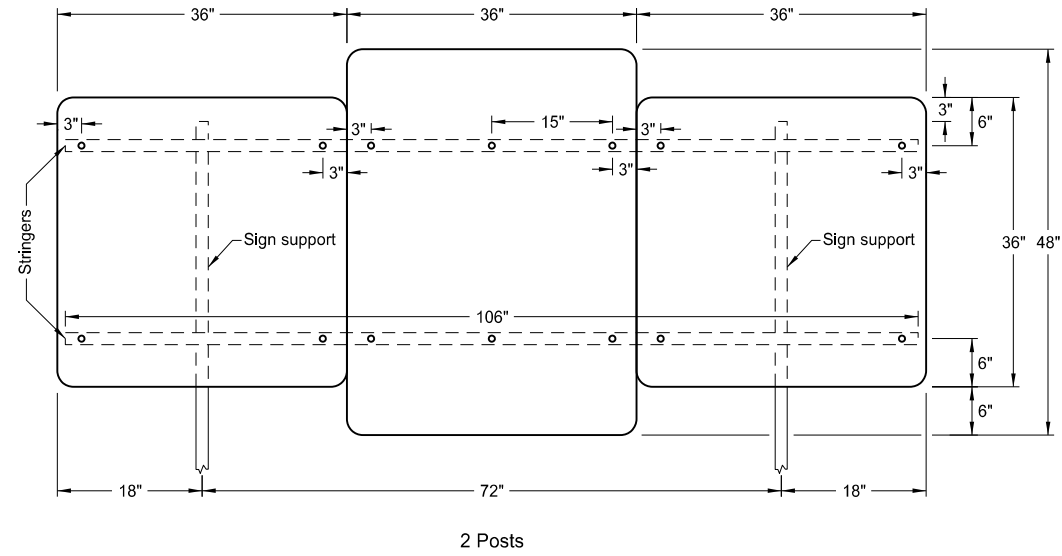


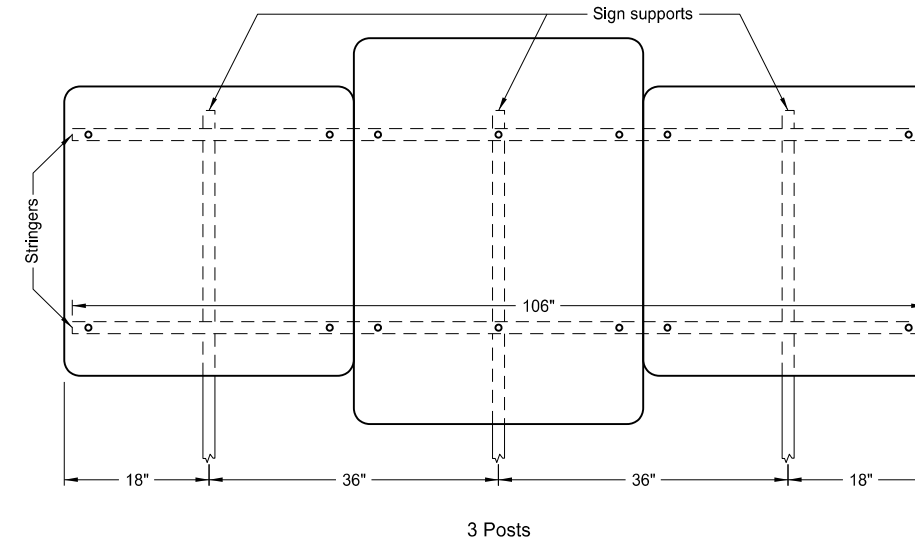
SIGN PUNCHING, STRINGER AND SUPPORT LOCATION DETAILS
REGULATORY, WARNING AND GUIDE SIGNS

Notes:

1. Use 0.100 inch minimum thickness sign backing material.
2. Use 1½"x1½" perforated square tube stringers.
3. Punch holes round for ⅜" bolt.

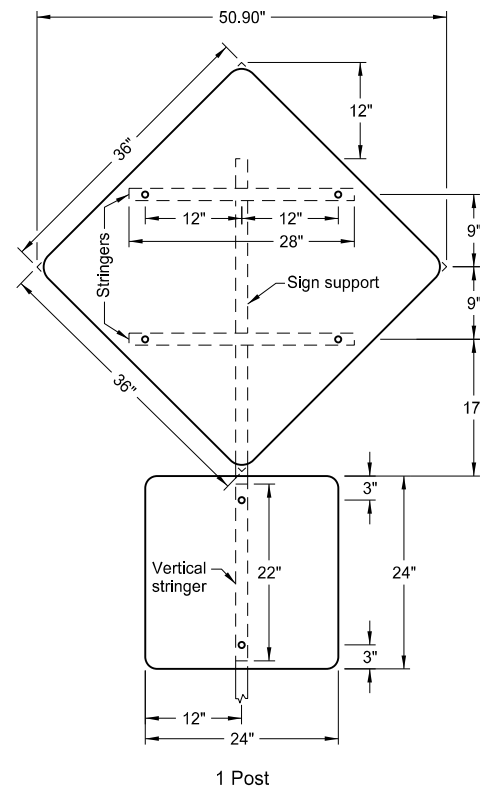


2 Posts

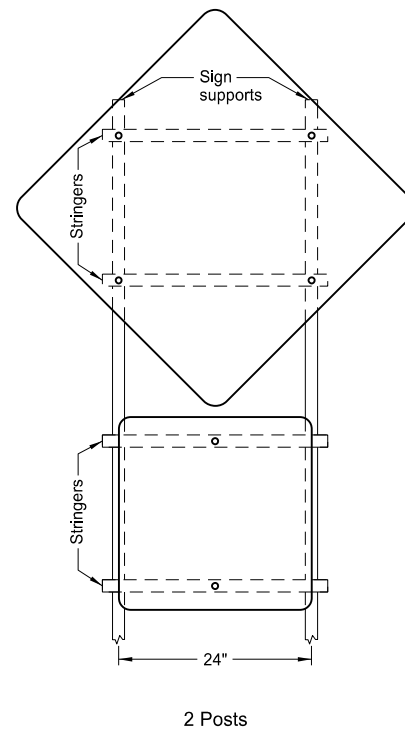


3 Posts

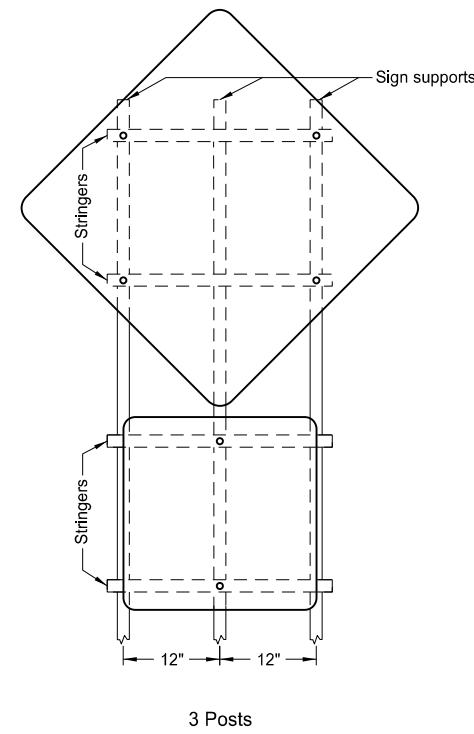
ASSEMBLY NO. 78



1 Post



2 Posts



3 Posts

ASSEMBLY NO. 80

NORTH DAKOTA DEPARTMENT OF TRANSPORTATION	
8-22-12	
REVISIONS	
DATE	CHANGE
8-30-18	Updated to active voice & added Assembly 80 dimension.
9-04-19	New Design Engineer PE Stamp.

This document was originally issued and sealed by
Kirk J Hoff,
Registration Number
PE- 4683,
on 9/04/19 and the original document is stored at the North Dakota Department of Transportation