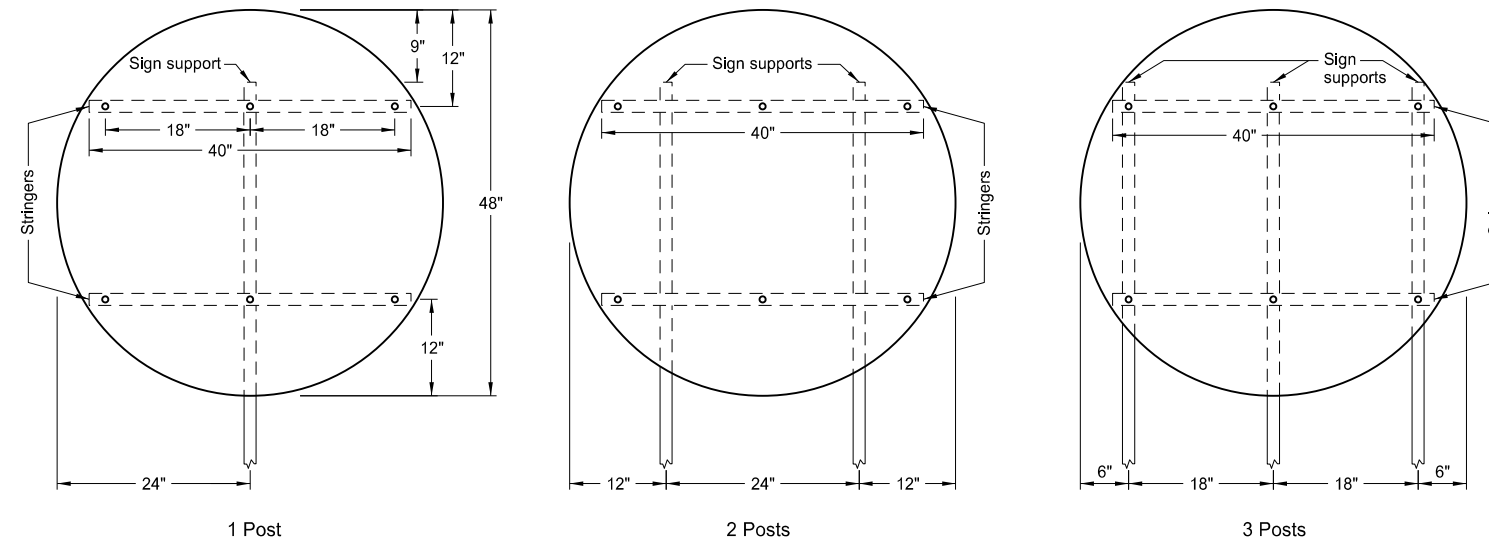


SIGN PUNCHING, STRINGER AND SUPPORT LOCATION DETAILS  
REGULATORY, WARNING AND GUIDE SIGNS

Notes:

1. Use 0.100 inch minimum thickness sign backing material.
2. Use 1½"x1½" perforated square tube stringers.
3. Punch holes round for ⅜" bolt.

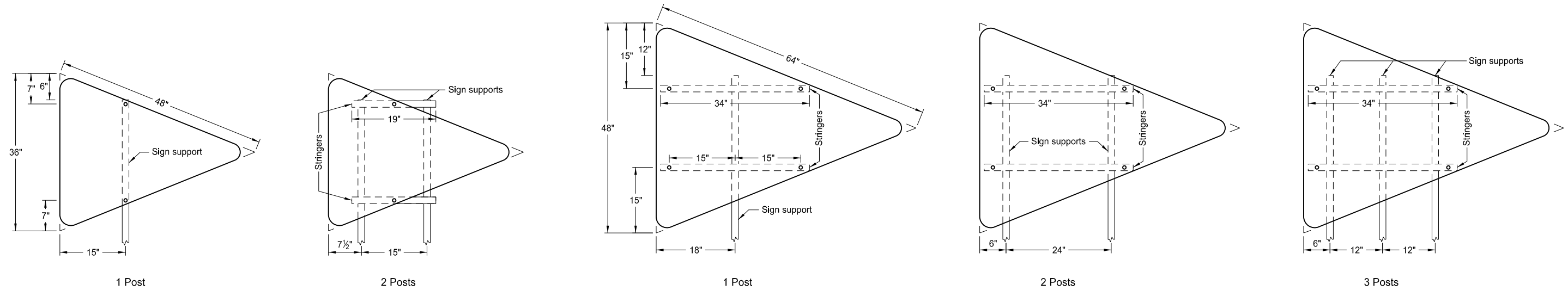


1 Post

2 Posts

3 Posts

ASSEMBLY NO. 64



1 Post

2 Posts

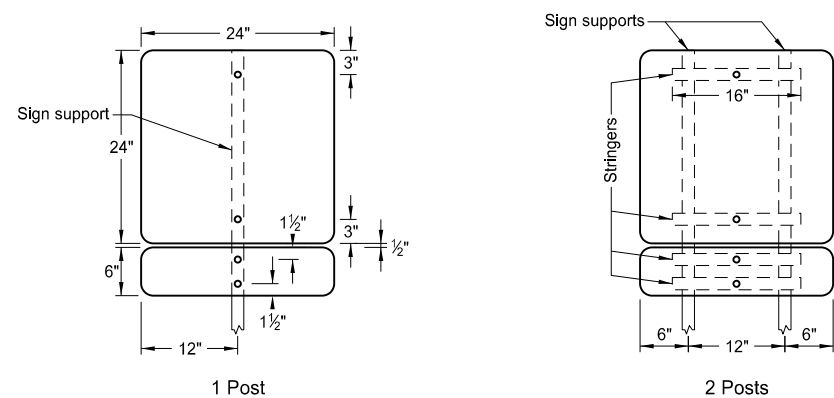
1 Post

2 Posts

3 Posts

ASSEMBLY NO. 65

ASSEMBLY NO. 66



1 Post

2 Posts

ASSEMBLY NO. 67

NORTH DAKOTA DEPARTMENT OF TRANSPORTATION	
8-22-12	
REVISIONS	
DATE	CHANGE
8-30-18	Updated notes to active voice.
8-30-19	New Design Engineer PE Stamp.

This document was originally issued and sealed by  
Kirk J Hoff,  
Registration Number  
PE- 4683,  
on 8/30/19 and the original document is stored at the  
North Dakota Department  
of Transportation