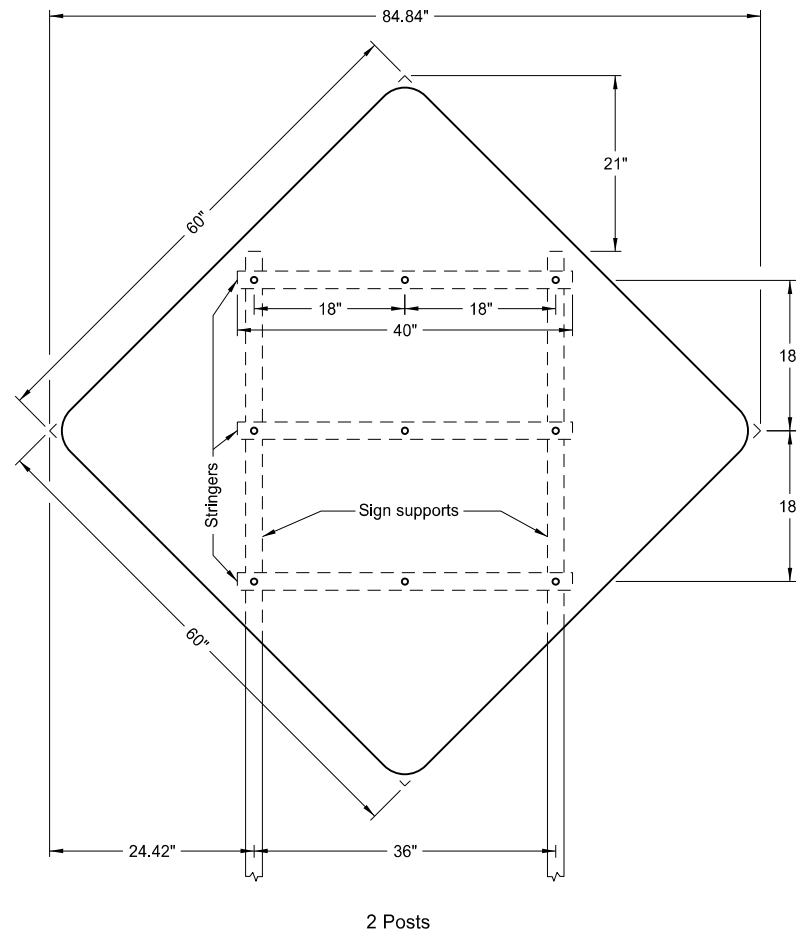
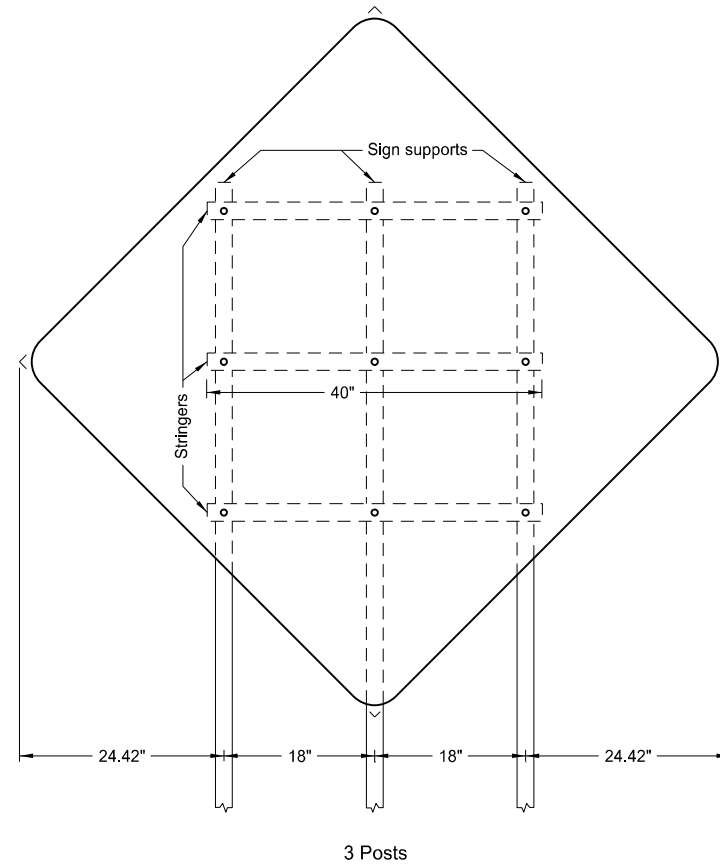


SIGN PUNCHING, STRINGER AND SUPPORT LOCATION DETAILS
REGULATORY, WARNING AND GUIDE SIGNS

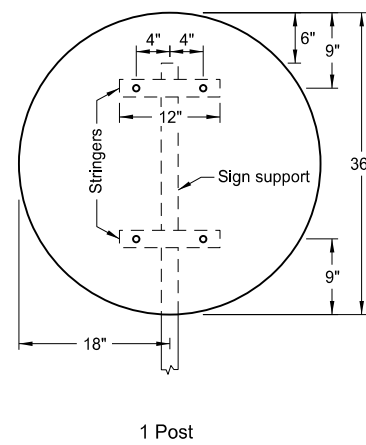


2 Posts

ASSEMBLY NO. 62

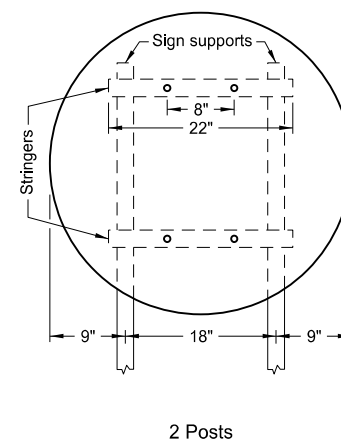


3 Posts



1 Post

ASSEMBLY NO. 63



2 Posts

Notes:

1. Use 0.100 inch minimum thickness sign backing material.
2. Use 1½"x1½" perforated square tube stringers.
3. Punch holes round for ⅜" bolt.

| | |
|--|--------------------------------|
| NORTH DAKOTA DEPARTMENT OF TRANSPORTATION | |
| 8-22-12 | |
| REVISIONS | |
| DATE | CHANGE |
| 8-30-18 | Updated notes to active voice. |
| 8-30-19 | New Design Engineer PE Stamp. |

This document was originally issued and sealed by
Kirk J Hoff,
Registration Number
PE- 4683,
on 8/30/19 and the original document is stored at the
North Dakota Department
of Transportation