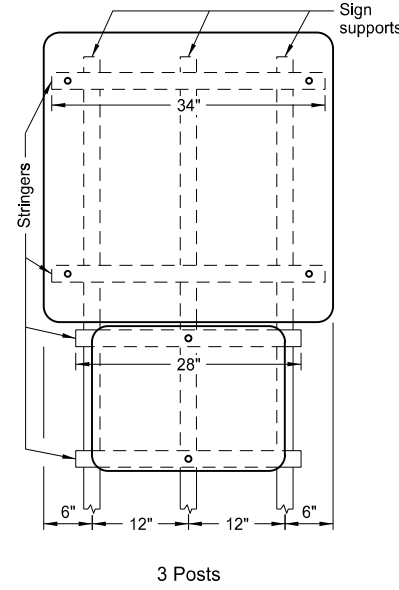
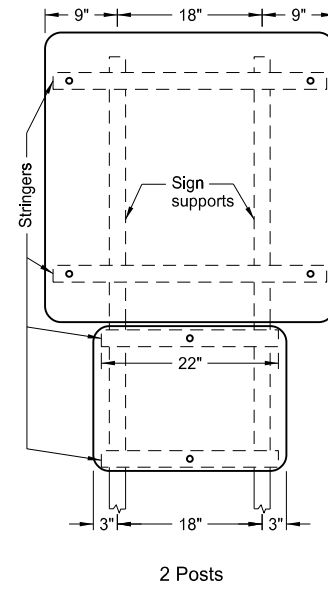
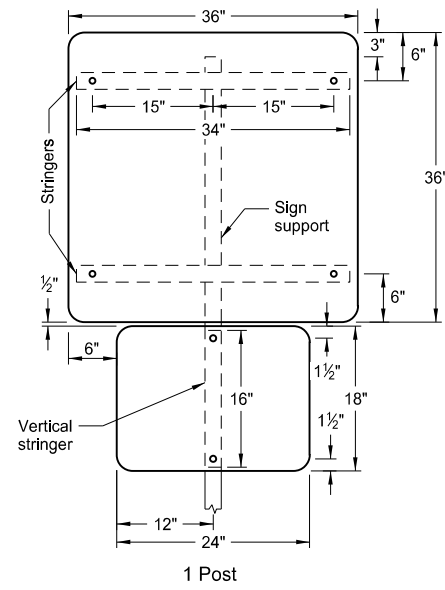


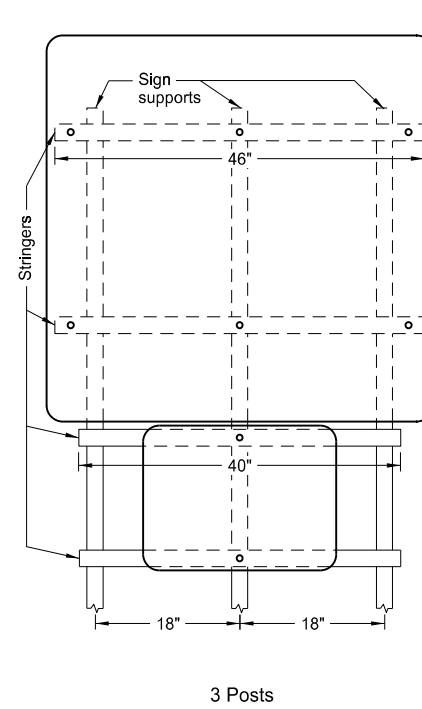
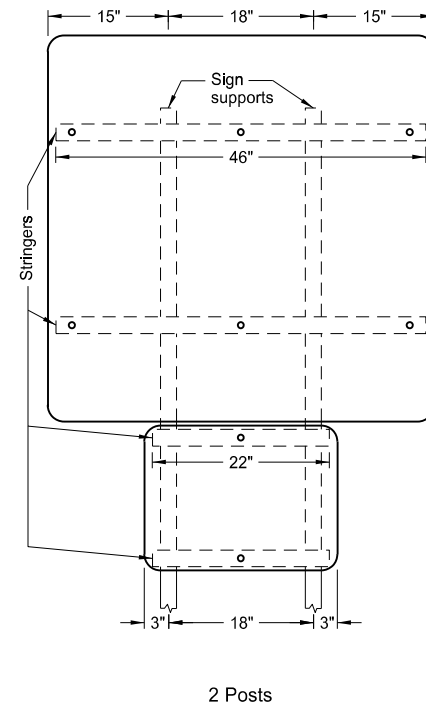
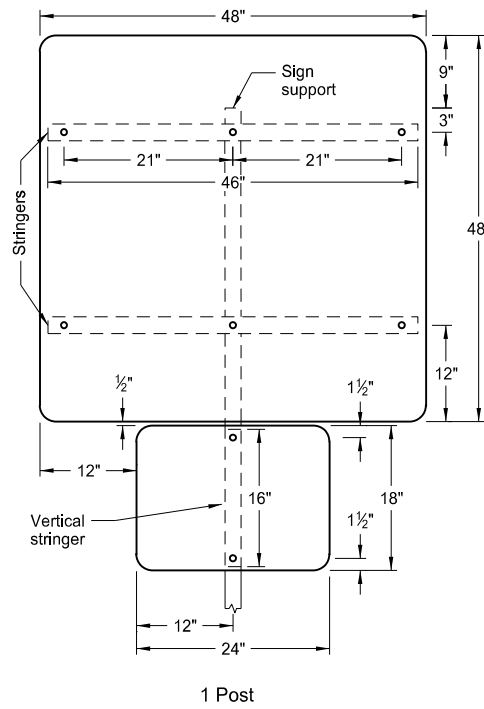
SIGN PUNCHING, STRINGER AND SUPPORT LOCATION DETAILS  
REGULATORY, WARNING AND GUIDE SIGNS

Notes:

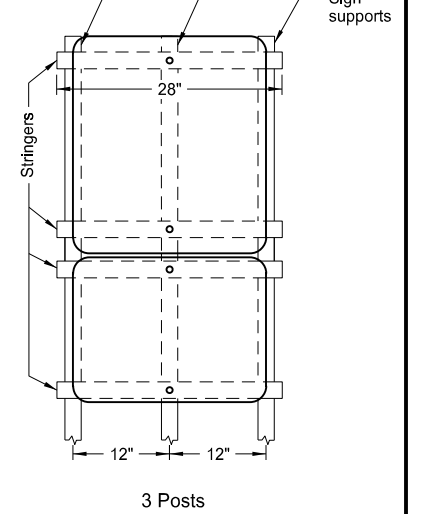
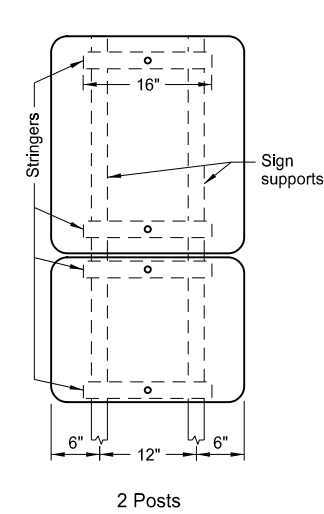
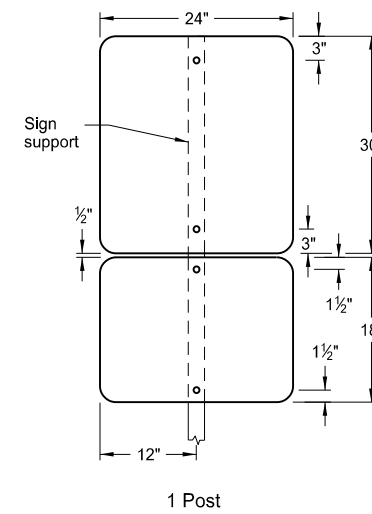
1. Use 0.100 inch minimum thickness sign backing material.
2. Use 1½"x1½" perforated square tube stringers.
3. Punch holes round for ⅜" bolt.



Assembly No. 44



Assembly No. 45



Assembly No. 46

NORTH DAKOTA DEPARTMENT OF TRANSPORTATION	
8-22-12	
REVISIONS	
DATE	CHANGE
8-30-18	Updated note to active voice.
8-30-19	New Design Engineer PE Stamp.

This document was originally issued and sealed by  
Kirk J Hoff,  
Registration Number  
PE- 4683,  
on 8/30/19 and the original document is stored at the  
North Dakota Department  
of Transportation