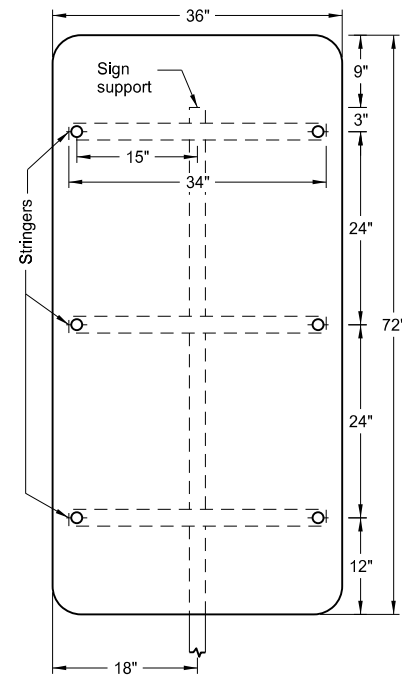
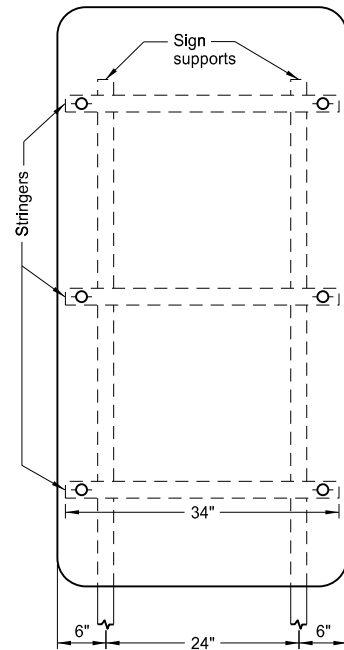


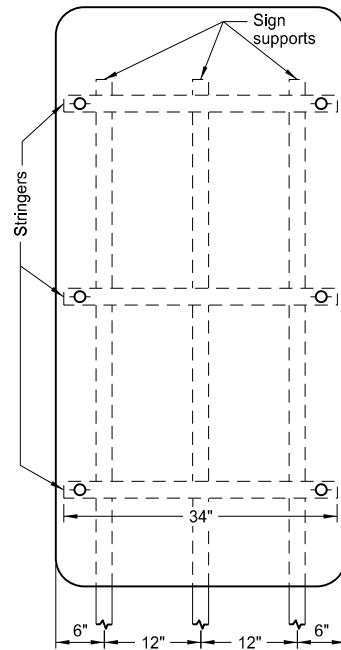
SIGN PUNCHING, STRINGER AND SUPPORT LOCATION
DETAILS REGULATORY, WARNING AND GUIDE SIGNS



1 Post

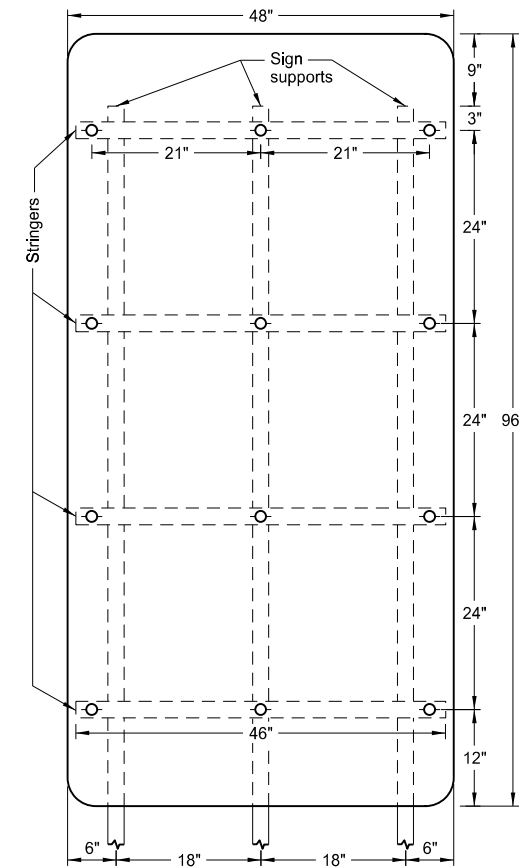


2 Posts



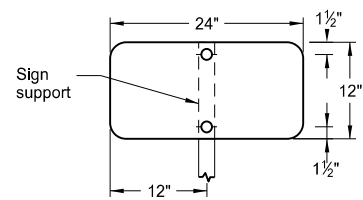
3 Posts

Assembly No. 24



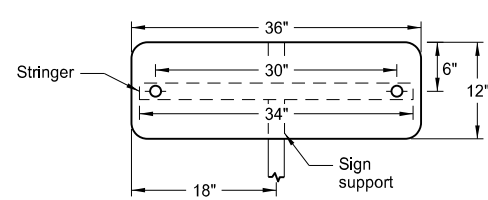
3 Posts

Assembly No. 25



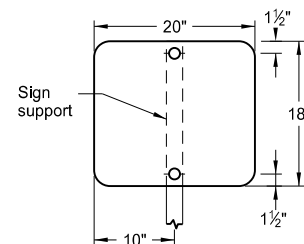
1 Post

Assembly No. 26



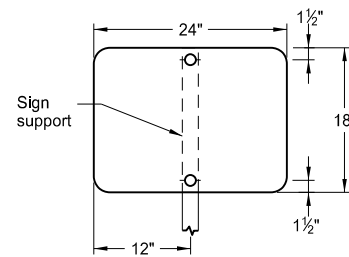
1 Post

Assembly No. 27



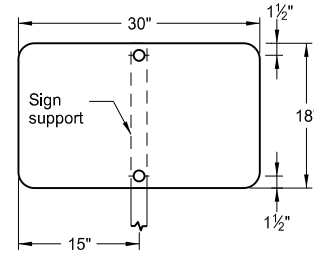
1 Post

Assembly No. 28



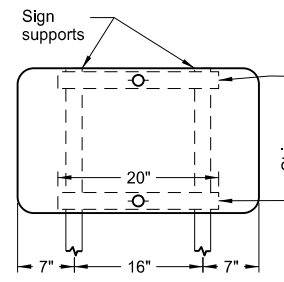
1 Post

Assembly No. 29



1 Post

Assembly No. 30



2 Posts

Notes:

1. Use 0.100 inch minimum thickness sign backing material.
2. Use 1 1/2" x 1 1/2" perforated square tube stringers.
3. Punch holes round for 3/8" bolt.

NORTH DAKOTA DEPARTMENT OF TRANSPORTATION	
12-1-10	
REVISIONS	
DATE	CHANGE
8-30-18	Updated notes to active voice.
8-30-19	New Design Engineer PE Stamp.

This document was originally issued and sealed by
Kirk J Hoff,
Registration Number
PE- 4683,
on 8/30/19 and the original document is stored at the North Dakota Department of Transportation