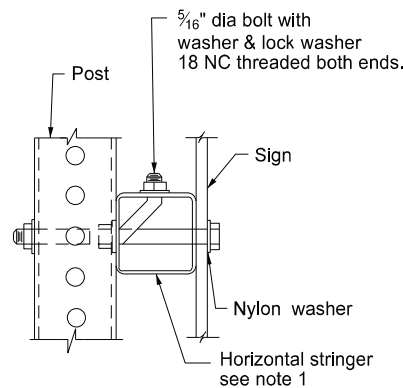
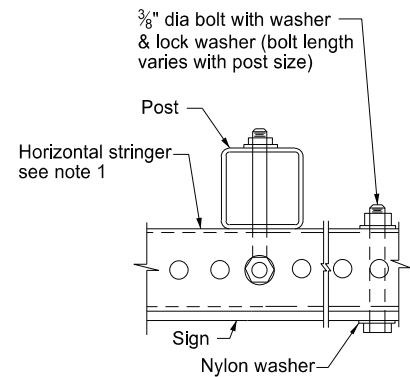


Mounting Details Perforated Tube

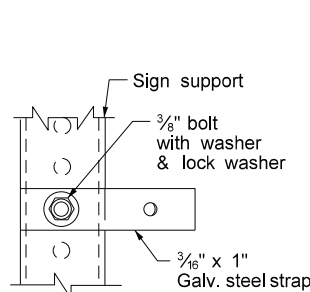


Side View

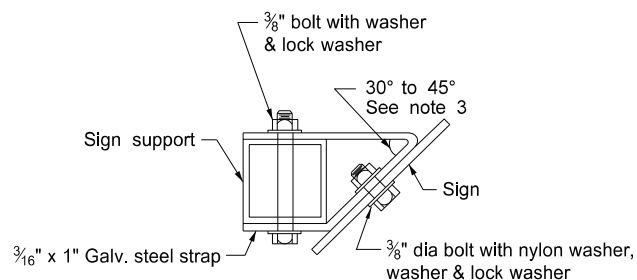


Top View

STRINGER MOUNTING
(WITH STRINGER IN FRONT OF POST)

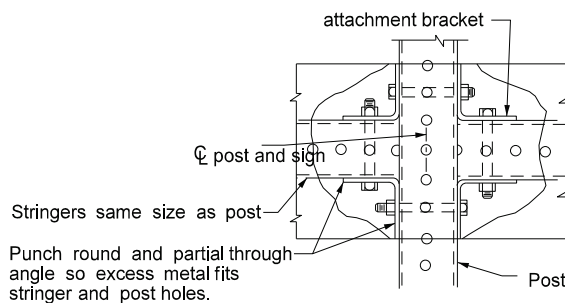


Side View



Top View

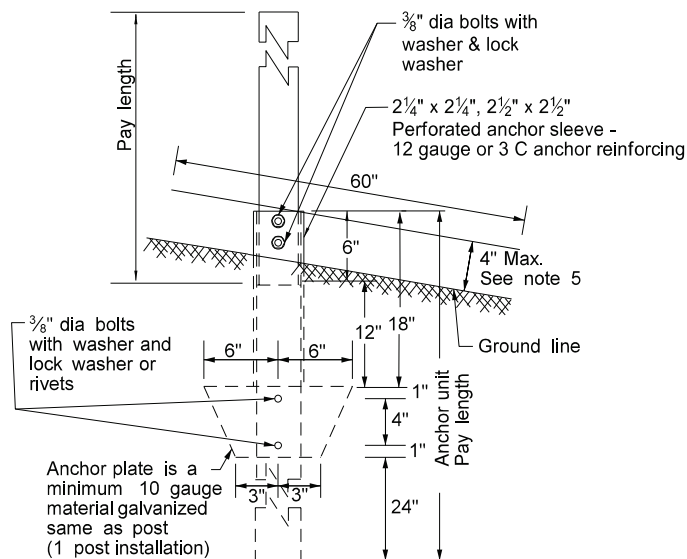
STRAP DETAIL



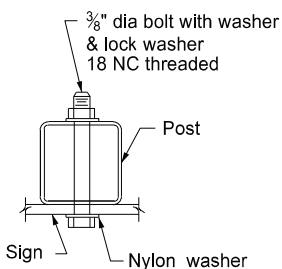
STREET NAME SIGNS AND ONE WAY SIGNS
SINGLE POST ASSEMBLY
ONE STRINGER OR BACK TO BACK MOUNTING

Note:

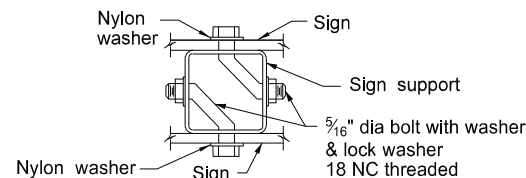
- Horizontal stringers - Use perforated tubes or 1 3/4" x 3/16" thick, 1.08 lbs./ft aluminum or 3.16 lbs./ft steel z bar stringers.
- Use minimum outside diameter 5/16" ± 1/16" and 10 gauge thick metal washers on sign face.
- Place No Parking signs with directional arrows at a 30 to 45 degree angle with the line of traffic flow. Turning the support to the correct angle for No Parking signs requiring the above angles is allowed. If the No Parking sign is placed with another sign that requires placement at a 90 degree angle with the line of traffic flow, use the detailed angle strap to mount the No Parking sign. Use flat washers and lock washers with all nylon washers.
- Punching the sign backing and placing the bolt through the sign, the stringer and the post is allowed in lieu of using the bent bolt to attach the post to the stringer.
- 4" vertical clearance of anchor or breakaway base. The 4" x 60" measurement is above and below post location and also back and ahead of post.



ANCHOR UNIT AND POST ASSEMBLY

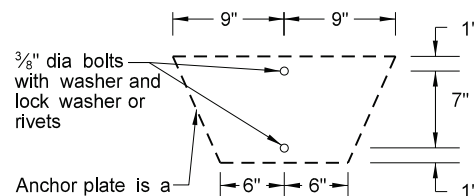


BOLT MOUNTING



Top View

BACK TO BACK MOUNTING



Anchor plate is a minimum 10 gauge material galvanized same as post (2 post installation)

Properties of Telescoping Perforated Tubes						
Tube Size In.	Wall Thickness In.	U.S. Standard Gauge	Weight Per Foot Lbs.	Moment of Inertia In. ⁴	Cross Sect. area In. ²	Section Modulus In. ³
1 1/2 x 1 1/2	0.105	12	1.702	0.129	0.380	0.172
2 x 2	0.105	12	2.416	0.372	0.590	0.372
2 1/4 x 2 1/4	0.105	12	2.773	0.561	0.695	0.499
2 3/16 x 2 3/16	0.135	10	3.432	0.605	0.841	0.590
2 1/2 x 2 1/2	0.105	12	3.141	0.804	0.803	0.643
2 1/2 x 2 1/2	0.135	10	4.006	0.979	1.010	0.783

The 2 3/16" size 10 gauge is shown as 2.19" size on the plans.
The 2 1/2" size is shown as 2.51" size on the plans.

Number of Posts	Telescoping Perforated Tube						
	Post Size In.	Wall Thickness Gauge	Sleeve Size In.	Wall Thickness Gauge	Slip Base	Anchor Size Without Slip Base In.	Anchor Wall Thickness Gauge
1	2	12			No	2 1/4	12
1	2 1/4	12			No	2 1/2	12
1	2 1/2	12			(B)	3(C)	7
1	2 1/2	10			Yes		7
1	2 1/4	12	2 1/2(D)	12	Yes		7
1	2 1/2	12	2 1/4	12	Yes		7
2	2 1/2	10			Yes		7
2	2 1/4	12	2 1/2(D)	12	Yes		7
2	2 1/2	12	2 1/4	12	Yes		7
3 & 4	2 1/2	12			Yes		7
3 & 4	2 1/2	10			Yes		7
3 & 4	2 1/2	12	2 1/4	12	Yes		7
3 & 4	2 1/4	12	2 1/2(D)	12	Yes		7
3 & 4	2 1/2	10	2 3/16	10	Yes		7

(B) - When placing 2 1/2", 12 gauge posts in standard soils without breakaway bases, provide a shim as specified by the manufacturer. Provide breakaway base when placing the support in weak soils. Engineer will determine if soils are weak. Weak soils are classified as boggy, wet, or loose soil areas.
(C) - 3" anchor unit
(D) - 2 1/2" x 12 ga. x 18" minimum length external sleeve required.

NORTH DAKOTA DEPARTMENT OF TRANSPORTATION	
8-6-09	
REVISIONS	
DATE	CHANGE
7-8-14	Revised Note 3.
8-30-18	Updated notes to active voice.
8-30-19	New Design Engr PE Stamp.
8-05-24	Electronic Stamp/Signature.



08/05/24