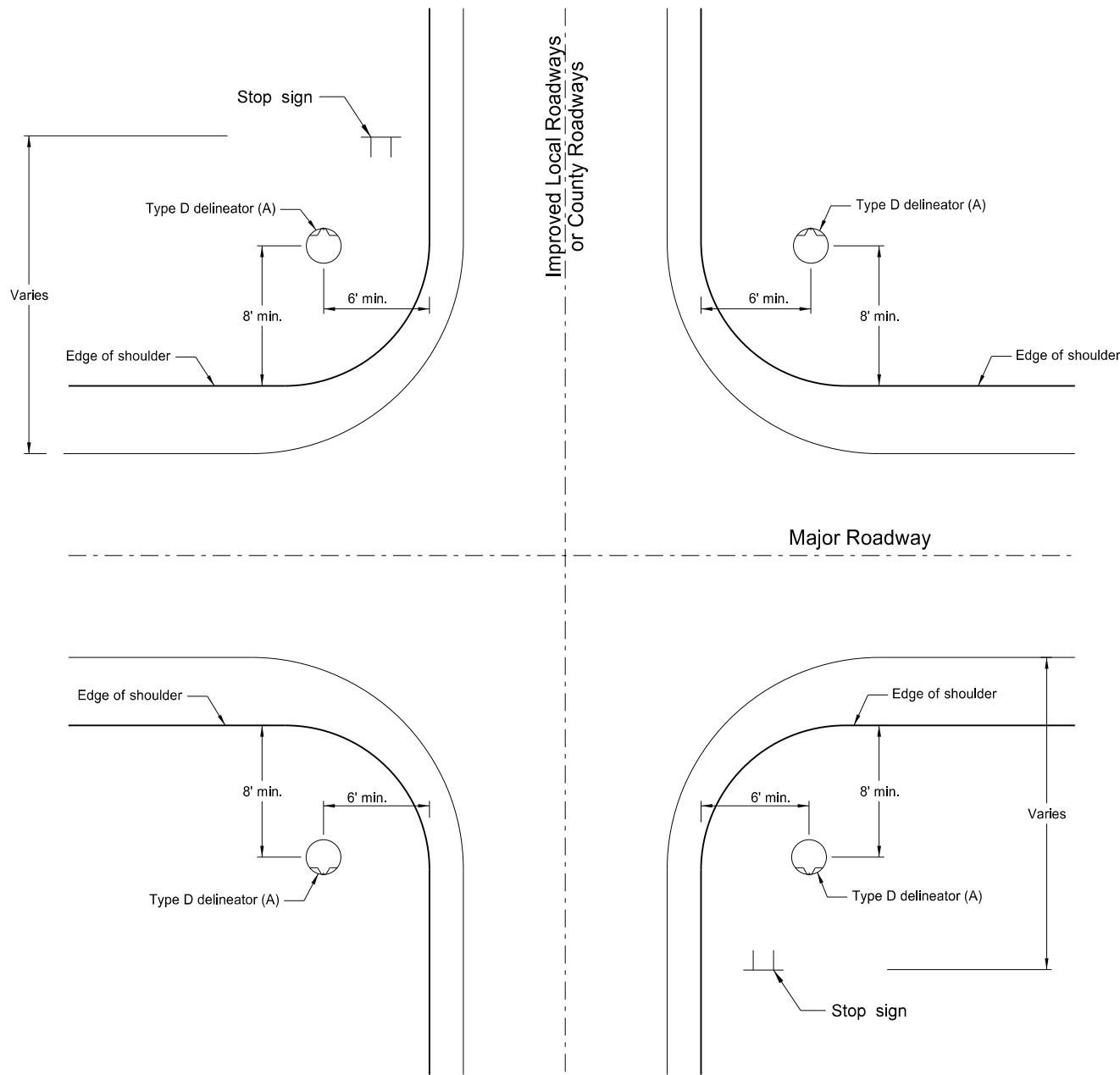


APPROACH DELINEATION

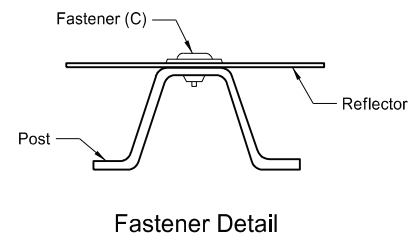
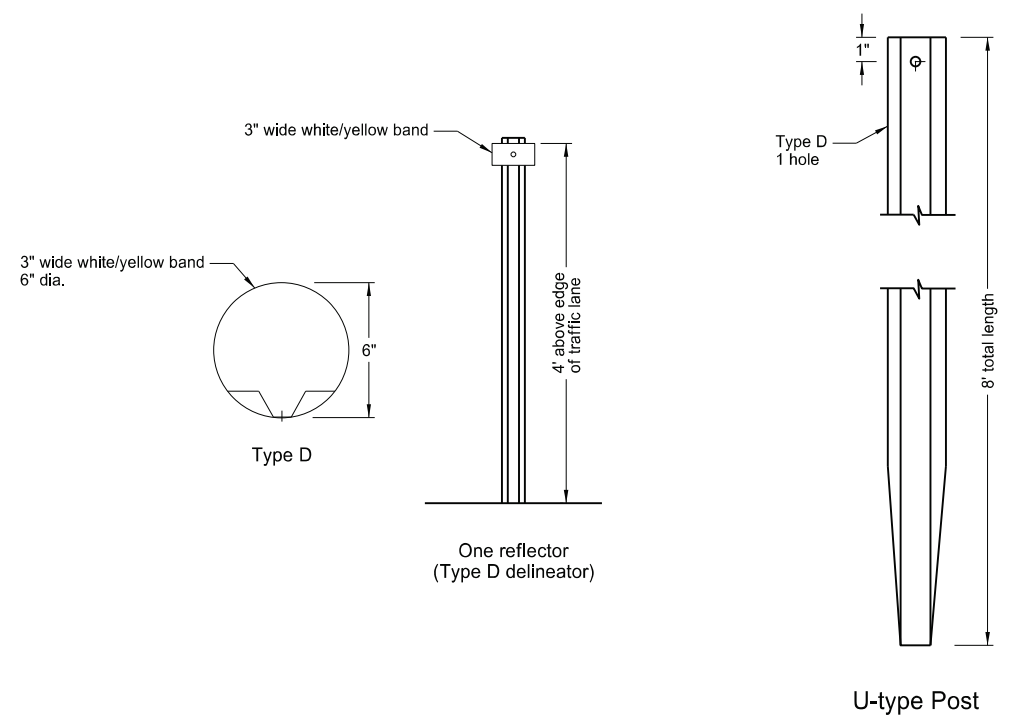
D-754-22C



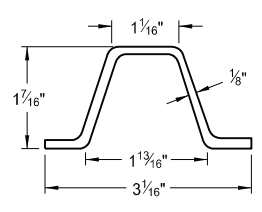
(A) Install delineators as shown in the plan layout. When a stop sign is present, place a delineator on the stop sign post at the height shown for the delineator. Place the opposite delineator directly across from the stop sign.

(B) Drill only those holes required to attach reflectors on the post or provide posts with holes the entire length at 1" centers.

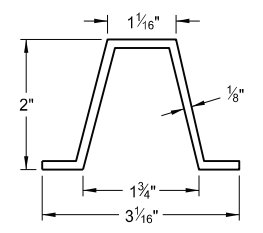
(C) Use tension pin type or other non-rust vandal resistant 3/8" diameter fastener with a min 1 3/16" outside diameter flat washer.



Fastener Detail



Steel Post Detail
(approx. 2 lb/ft)



Aluminum Post Detail
(approx. 0.88 lb/ft)

NORTH DAKOTA DEPARTMENT OF TRANSPORTATION	
8-22-12	
REVISIONS	
DATE	CHANGE
8-30-18	Updated notes to active voice.
8-29-19	New Design Engineer PE Stamp.
8-05-24	Electronic Stamp/Signature.



08/05/24