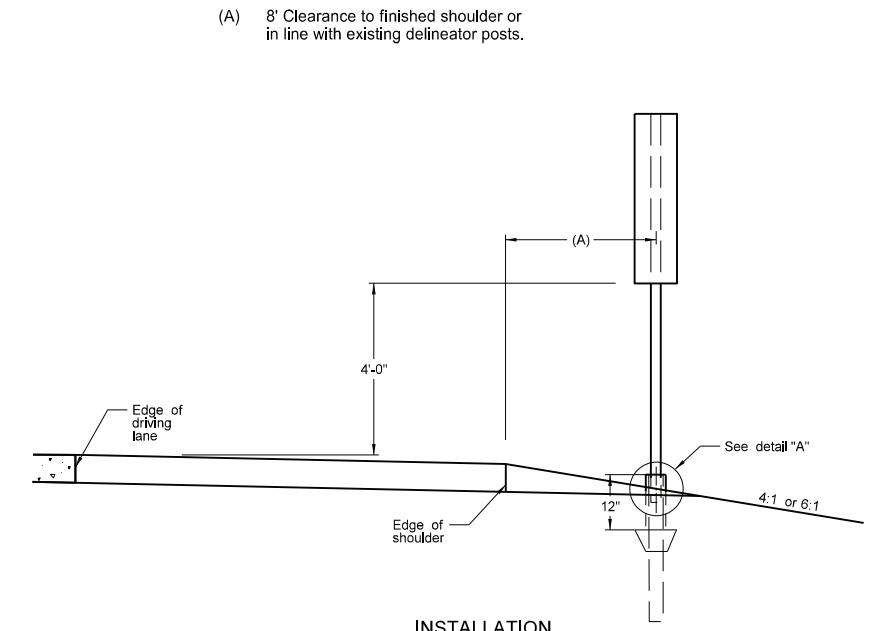
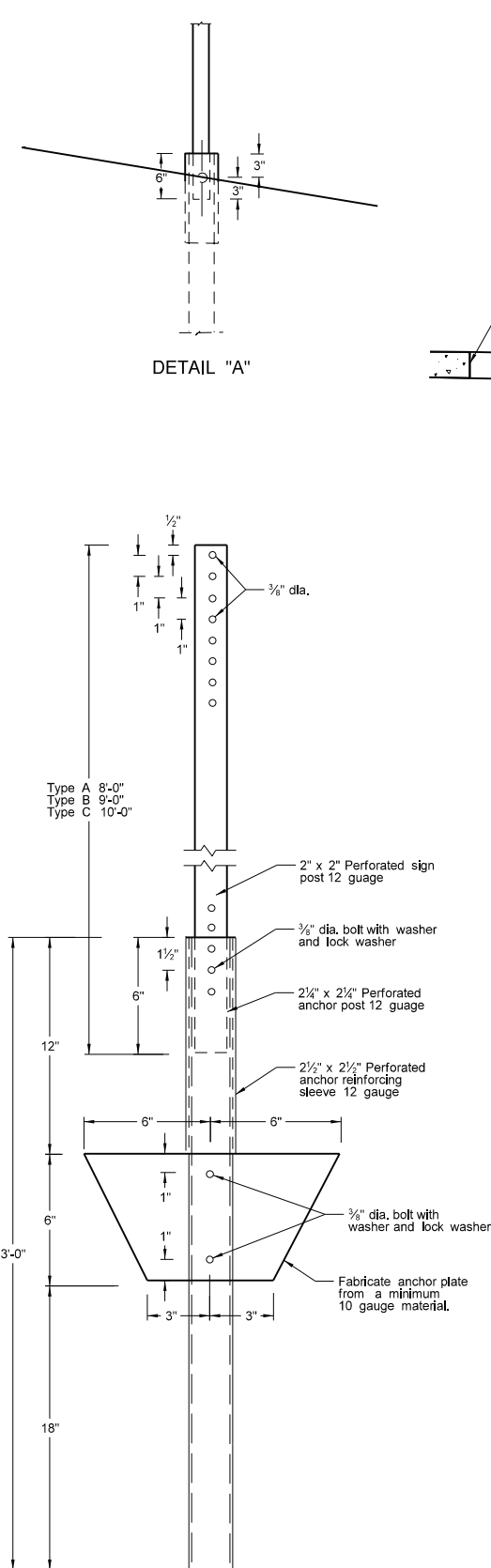
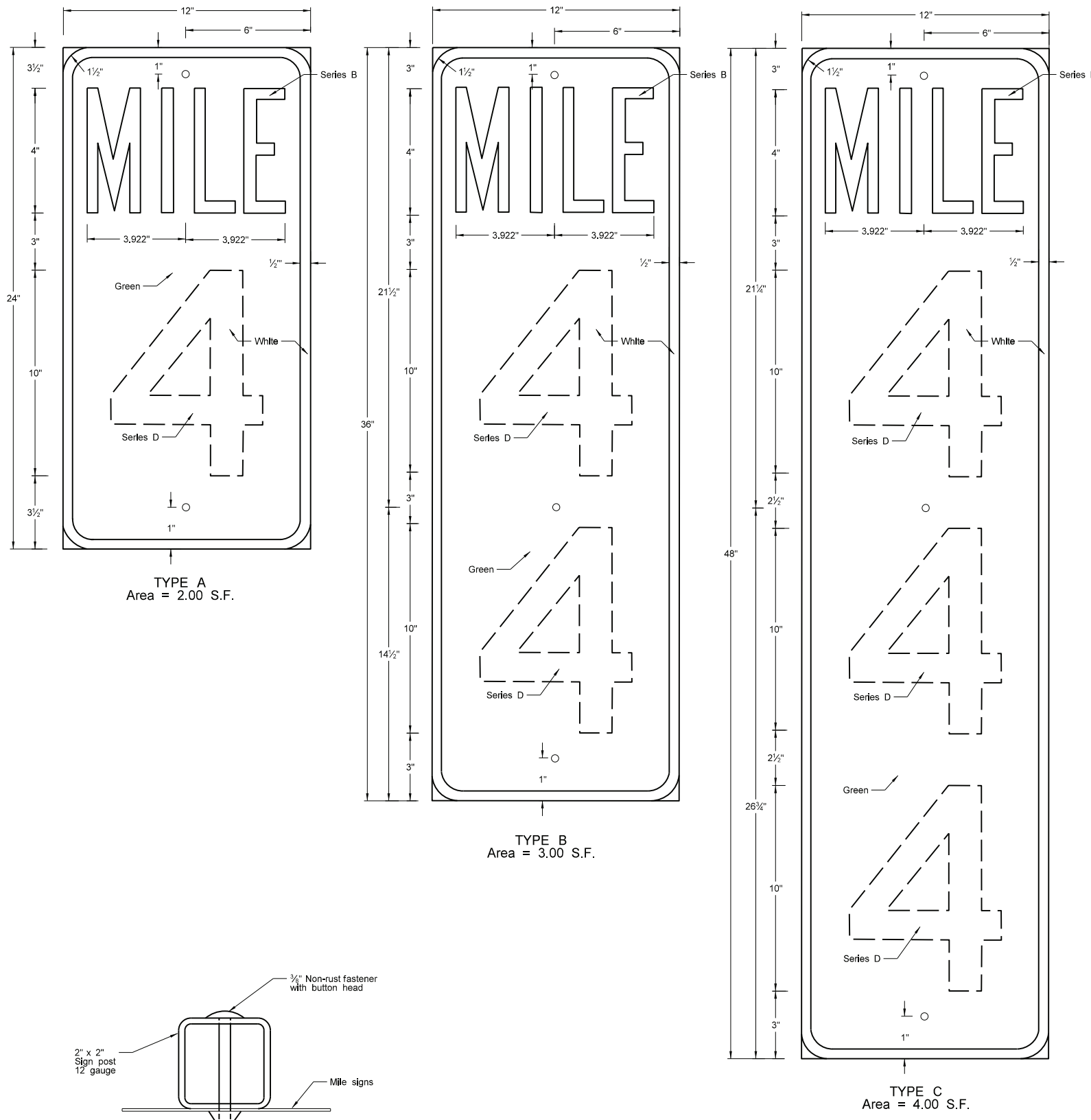
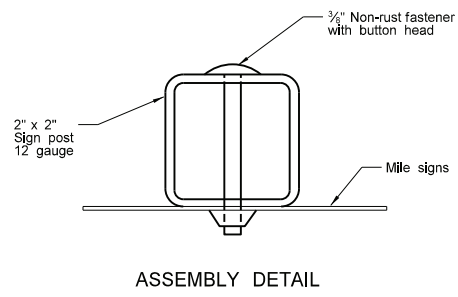


(EXPRESSWAY-FREEWAY USE) MILE POSTS

D-754-20



NOTES:
 Installation: Install posts along right shoulder in line with delineators.
 Mile Sign Backing: Fabricate backing of 0.080 aluminum.
 Fasteners: Attach signs to post with tension pin type fastener or other suitable vandal resistant non-rust fastener.
 Reflective Sheeting: Use Type IV sheeting.
 Numbers: Use screened or applied copy numbers of the series shown.



NORTH DAKOTA DEPARTMENT OF TRANSPORTATION	
12-1-10	
REVISIONS	
DATE	CHANGE
7-8-14	Revised post and reflective sheeting notes.
8-30-18	Updated to active voice.
8-29-19	New Design Engineer PE Stamp.
8-05-24	Electronic Stamp/Signature.

