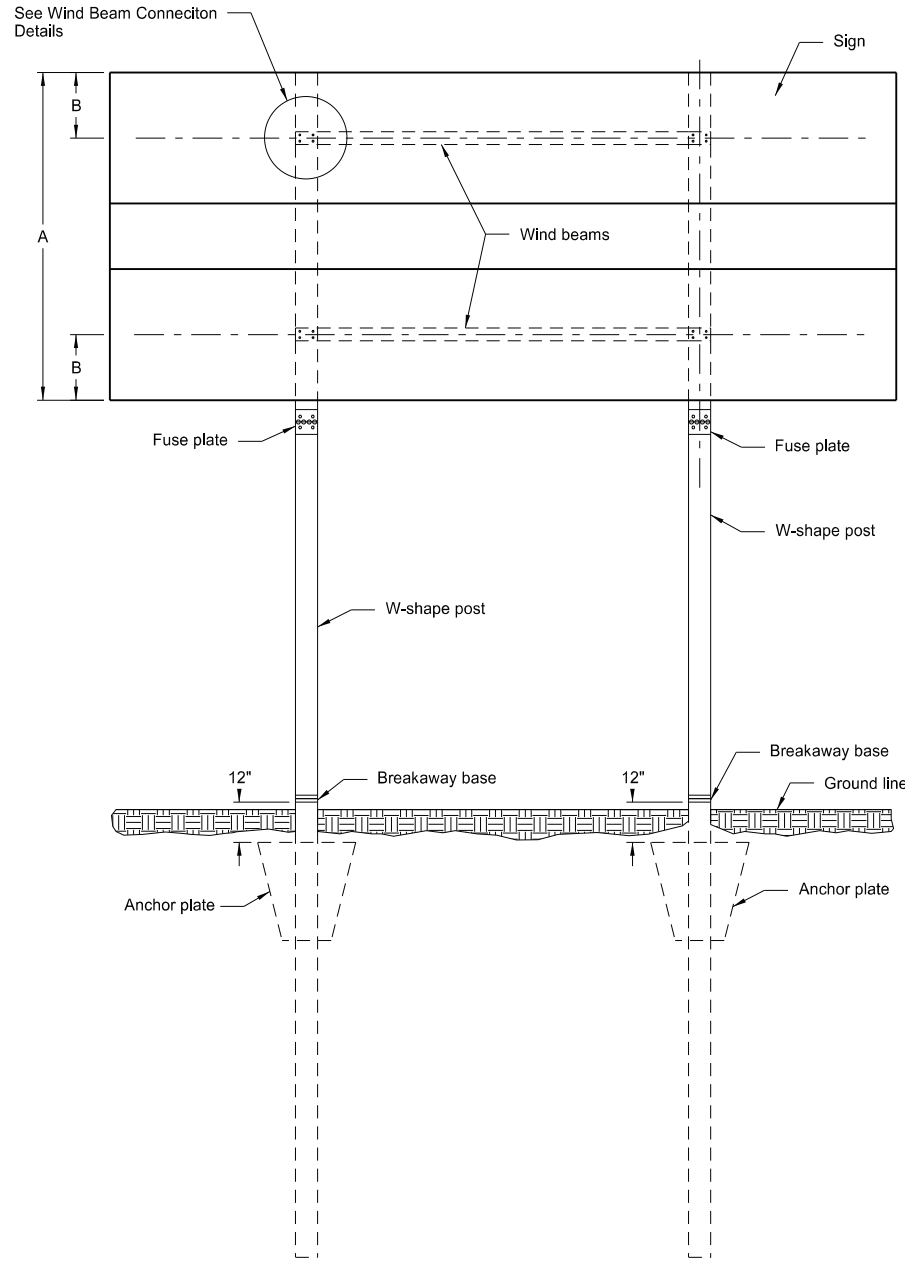


WIND BEAMS AND ANCHOR PLATES  
FOR W-SHAPE SUPPORTS



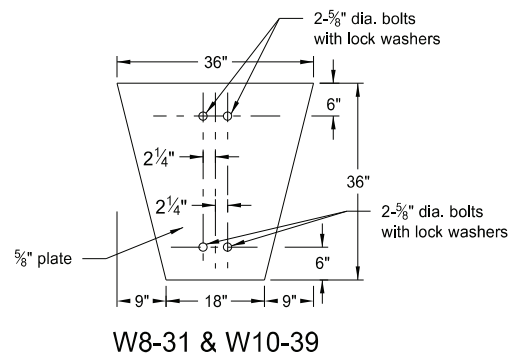
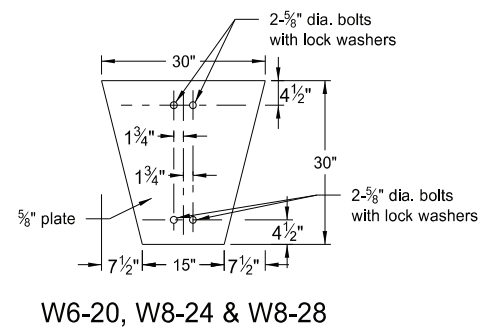
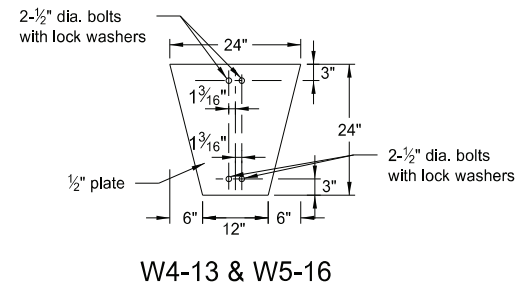
ASSEMBLY DETAIL  
FOR WIND BEAMS  
AND ANCHOR PLATES

Notes:

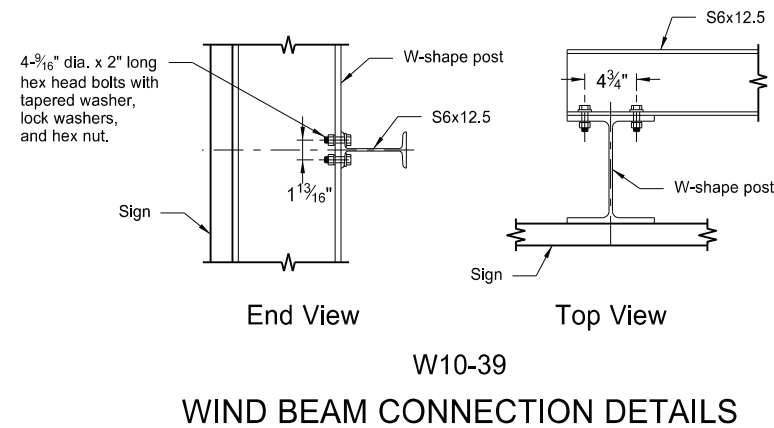
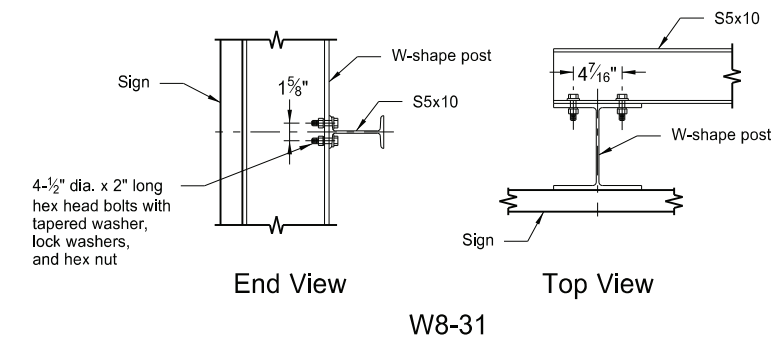
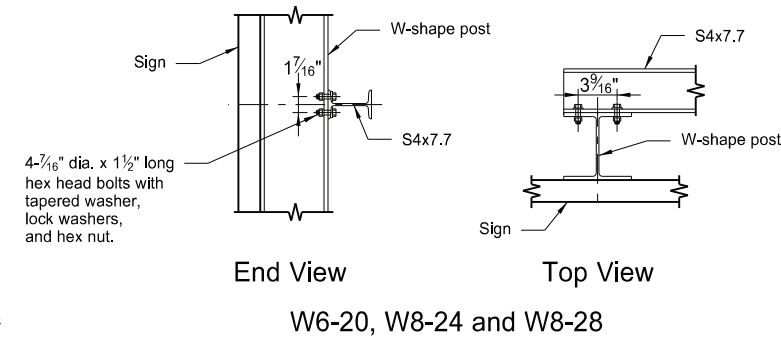
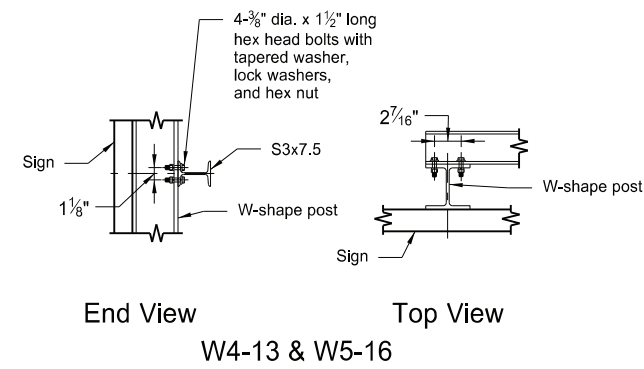
Calculate the B distance using the formula,  $B=A/4$ .

Use wind beam conforming to Section 894.03 B.6 of the Standard Specifications.

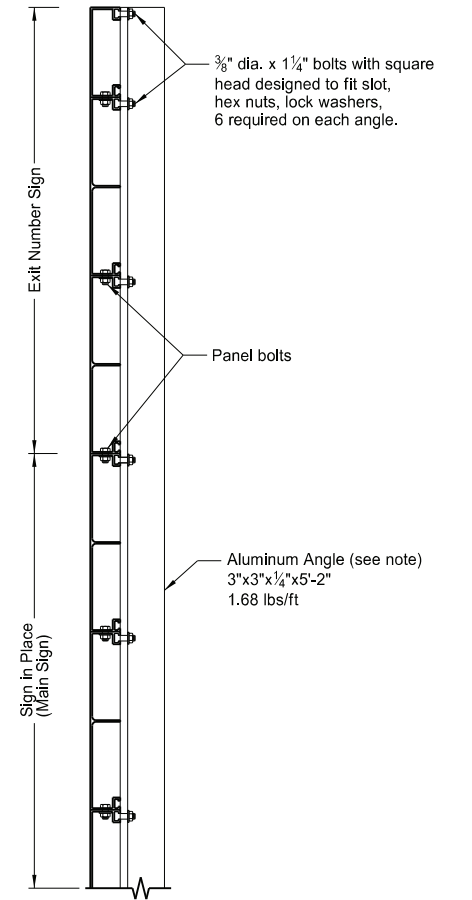
Use bolts conforming to ASTM A307 and galvanized according to ASTM A153.



ANCHOR PLATE DETAILS



WIND BEAM CONNECTION DETAILS



ASSEMBLY DETAIL FOR  
EXIT NUMBER SIGNS

Note: Use two aluminum angles on each sign. Vary distance between angles dependent on post spacing of sign in place. Place angles as near as possible to posts. The Engineer will determine exact location.

NORTH DAKOTA DEPARTMENT OF TRANSPORTATION	
10-3-13	
REVISIONS	
DATE	CHANGE
7-8-14	Revised second note.
8-30-18	Updated notes to active voice.
8-29-19	New Design Engineer PE Stamp.
8-05-24	Electronic Stamp/Signature.



08/05/24