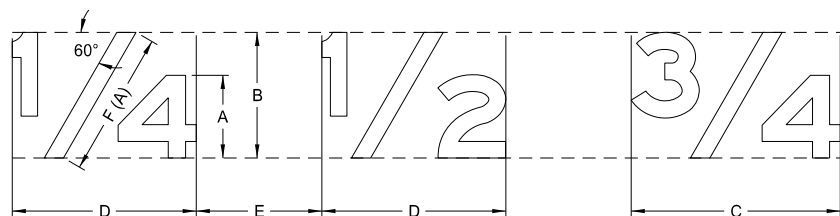


LETTER AND ARROW DETAILS

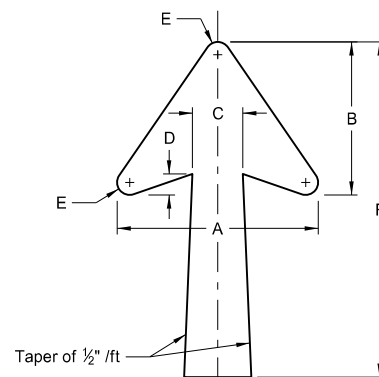
NOTE: Measure rotation angle of arrows counterclockwise from positions shown in details.



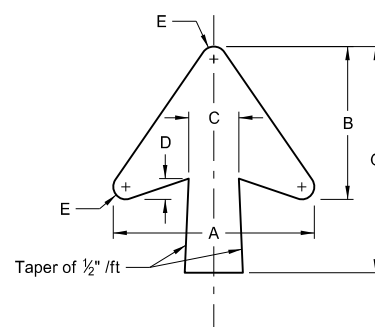
DETERMINE SIZE OF THE FRACTION AS FOLLOWS:

SYMBOL	TITLE	RATIO TO HEIGHT OF CAPITAL OR UPPER CASE
A	Letter height	1.0 of capital or upper case
B	Fraction height	1.5 X A
C	Fraction width	2.5 X A
D	Fraction width	2 X A
E	Space to next character	1 to 1.5 X A
F(A)	Length of diagonal	1.75 X A

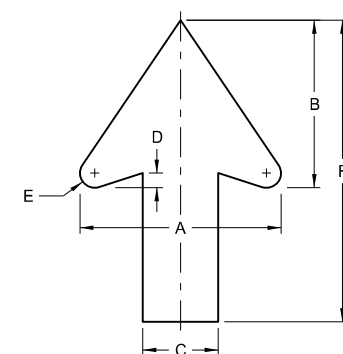
(A) Center diagonal stroke of fraction optically.



TYPE A



TYPE B

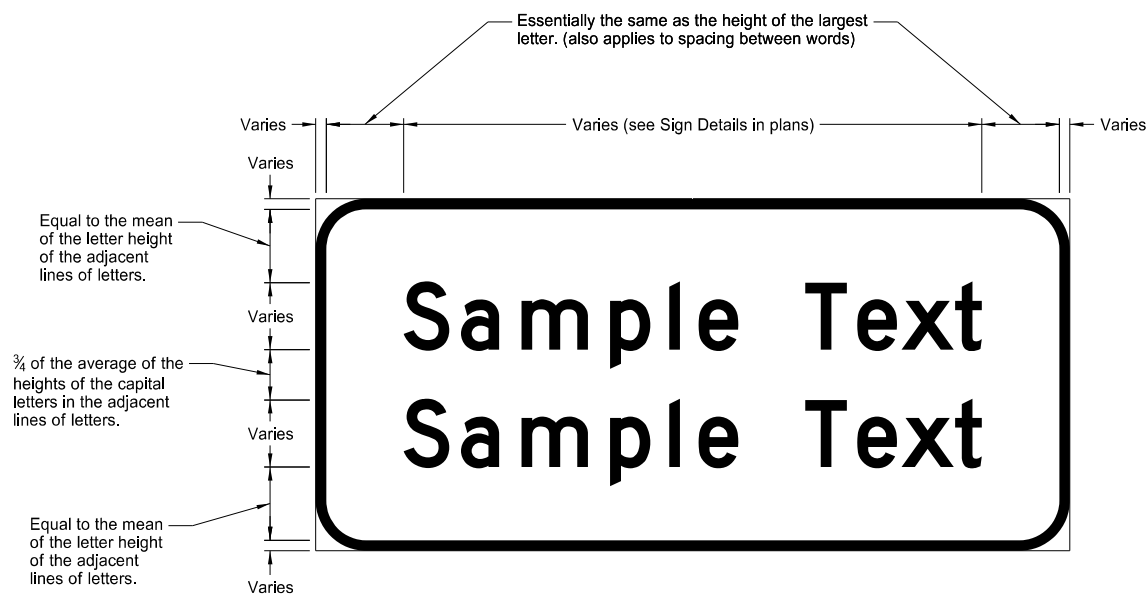


TYPE D

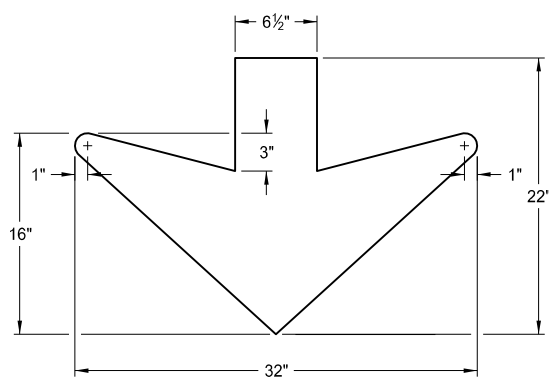
DESIGNATION	LETTER SIZE (Upper Case)	A	B	C	D	E	F	G
ND_6IN	6"	12"	9.125"	3"	1"	0.625"	20"	13.5"
ND_8IN	8"	15.125"	11.563"	3.75"	1.313"	0.813"	25"	17"
ND_10IN	10"	18.25"	14"	4.5"	1.5"	0.75"	30"	20"
ND_12IN	12"							
ND_13IN	13.3"	22.25"	17"	5.375"	1.75"	1"	35"	25"
ND_16IN	16"							
ND_20IN	20"							

NOTE: Arrow size on gore signs is based on the letter size of "EXIT".

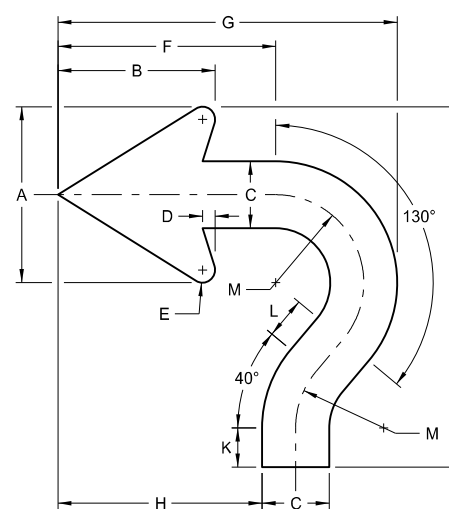
DESIGNATION	LETTER SIZE (Upper Case)	A	B	C	D	E	F
ND_2IN	2"	2"	1.625"	0.75"	0.125"	0.125"	3"
ND_4IN	4"	4"	3.313"	1.5"	0.25"	0.25"	6"
ND_6IN	6"	6"	4.875"	2.25"	0.375"	0.375"	9"
ND_8IN	8"	8"	6.625"	3"	0.5"	0.5"	12"
ND_10IN	10"	10"	8.375"	3.75"	0.75"	0.75"	15"
ND_12IN	12"	12"	10"	4.5"	0.875"	0.875"	18"



TYPICAL SPACING

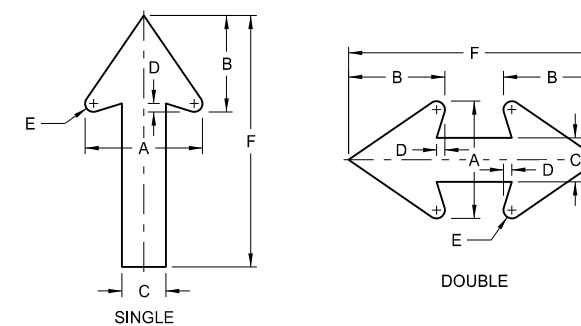


DOWN ARROW



ROUNDBOUT

DESIGNATION	LETTER SIZE (Upper Case)	A	B	C	D	E	F	G	H	J	K	L	M
ND_6IN	6"	5.25"	4.688"	2"	0.375"	0.375"	6.5"	10.125"	6.094"	10.75"	1.168"	1.25"	2.625"
ND_8IN	8"	7"	5.75"	2.625"	0.5"	0.5"	8.688"	13.5"	8.166"	14.333"	1.557"	1.667"	3.5"



SPECIAL

DESIGNATION	A	B	C	D	E	F	USES
ND_0.75IN	2"	1.625"	0.75"	0.125"	0.125"	7.75"	Parking Signs (Regulatory)
ND_2.625IN	7"	5.75"	2.625"	0.5"	0.5"	15"	Frontage Road Signs

NORTH DAKOTA DEPARTMENT OF TRANSPORTATION	
8-3-11	
REVISIONS	
DATE	CHANGE
7-8-14	Revised gore sign and added 4" D & D arrow
5-4-16	Revised Distance & Destination and Typical Spacing details
4-23-18	Revised arrow details
8-30-18	Updated notes to active voice.
8-29-19	New Design Engr PE Stamp.

This document was originally issued and sealed by Kirk J Hoff, Registration Number PE-4683, on 8/29/19 and the original document is stored at the North Dakota Department of Transportation