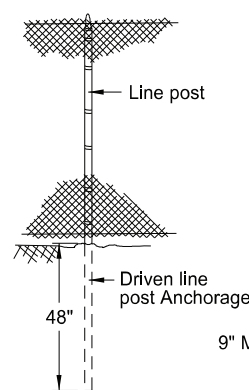
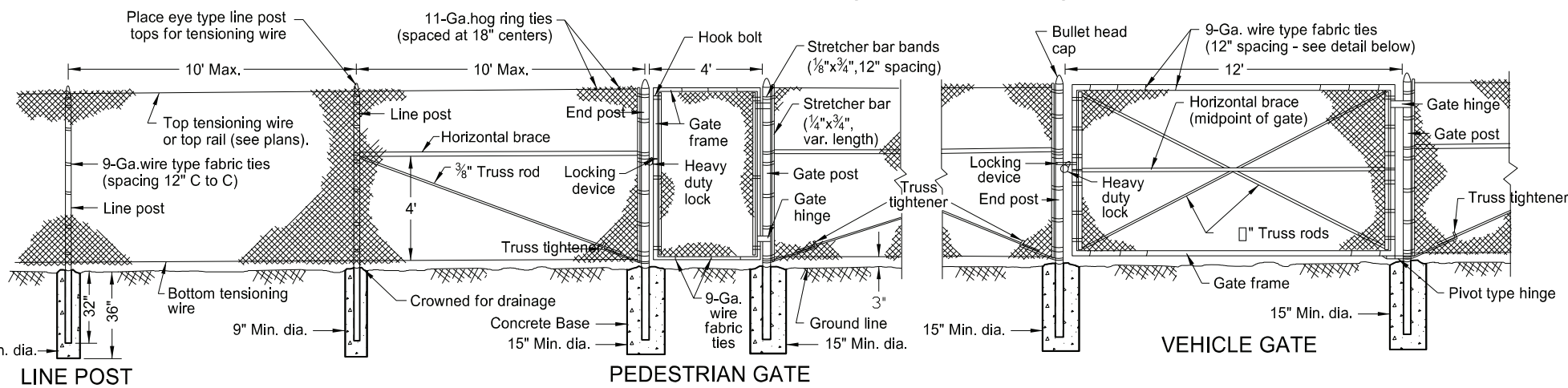


CHAIN LINK FENCE

ALTERNATE LINE POST ANCHORAGE



LINE POST



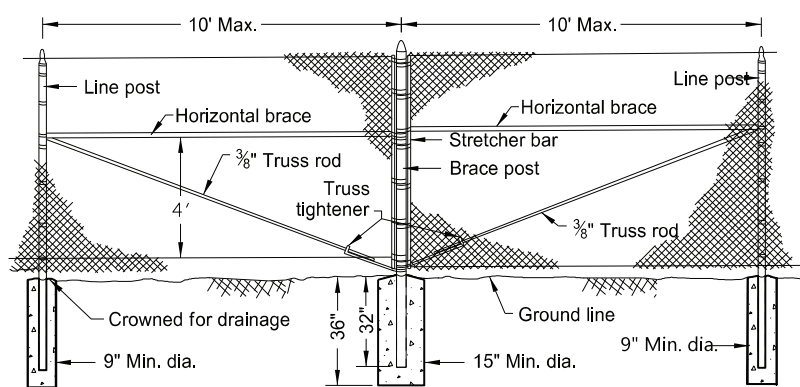
LINE POST

PEDESTRIAN GATE

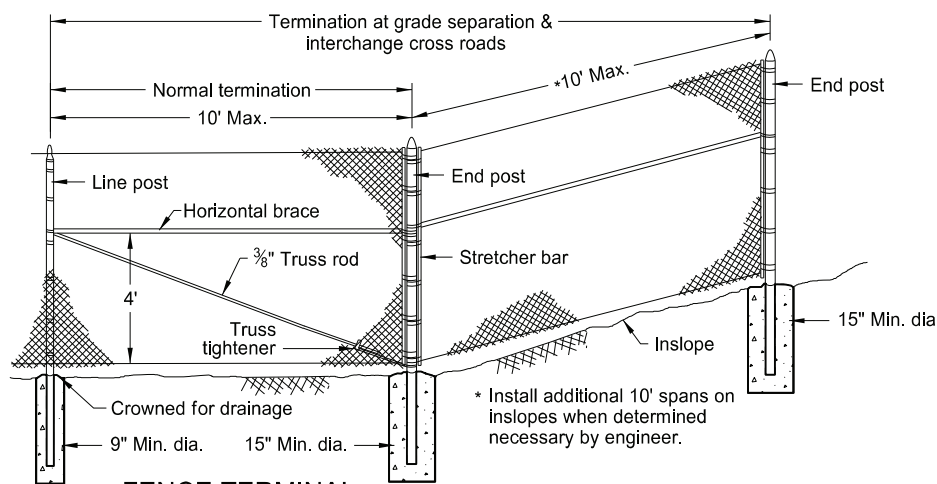
VEHICLE GATE

NOTES:

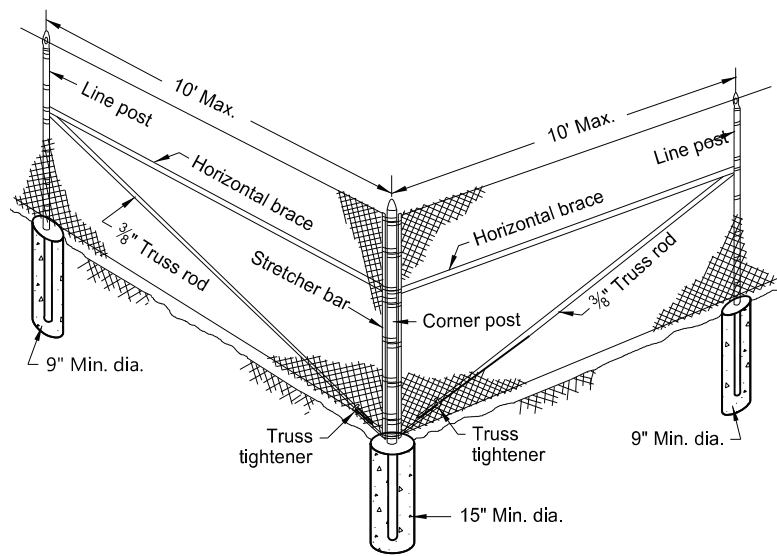
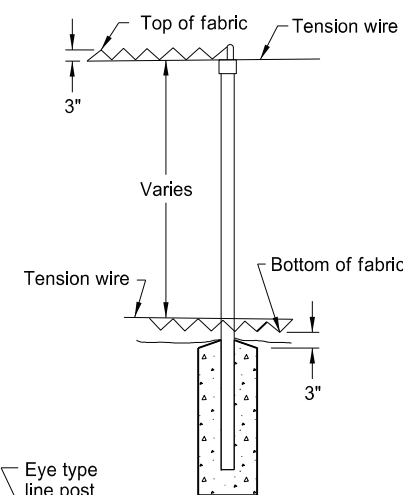
1. Install double brace assemblies at locations shown on the plans or established by the Engineer. Place adjacent fence terminals, corner assemblies, or double brace assemblies at a maximum spacing of 1000 feet. No deduction in measured pay length of chain link fence for gates, corner assemblies, double brace assemblies, or fence terminals.
2. Provide miscellaneous fittings of the type and size recommended by the manufacturer of the fence and approved by the Engineer.
3. Use 6' High fabric unless otherwise shown on the plans.
4. Use Class YE concrete for post bases in accordance with Sec. 802 of the Standard Specifications. Use size No. 4 or 5 course aggregate for concrete mix, but do not change during the work, except by Engineer's written permission.
5. Use any of the types of posts shown in the table of equivalent post sizes and weights for the specified use.
6. Do not connect private fences to highway right-of-way fence.
7. Use a concrete anchorage for all end, corner, and brace posts, and for first line post(s) adjacent to terminal posts.



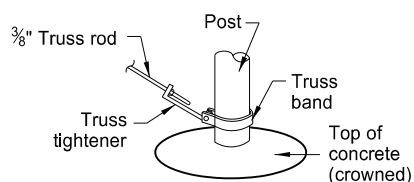
DOUBLE BRACE ASSEMBLY



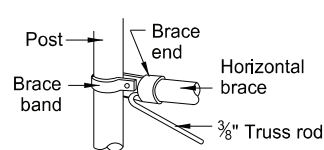
FENCE TERMINAL



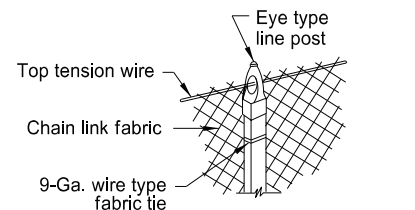
CORNER ASSEMBLY



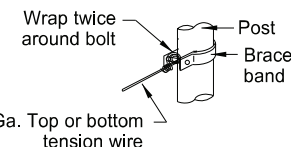
TRUSS ATTACHMENT AT TERMINAL POSTS



BRACE & TRUSS ATTACHMENT

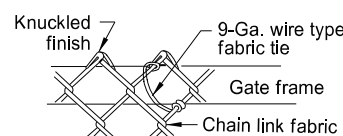


LINE POST TOP DETAIL



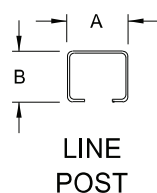
BRACE ATTACHMENT

TENSION WIRE ANCHORAGE



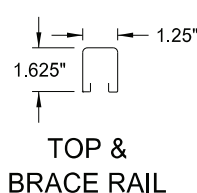
WIRE TYPE FABRIC TIE DETAIL

		EQUIVALENT POST SIZES AND WEIGHTS								
USE OF POST	FABRIC HEIGHT	ROUND STEEL			ROLL FORMED		"H" COLUMN STEEL			
		Size	Weight - Lbs./Ft.		Size	Weight	Size		Weight	
		Out. Dia.	Grade 1	Grade 2	A	B	Lbs./Ft.	A	B	Lbs./Ft.
LINE POST	6' or less	1.900"	2.72	2.28	1.875"	1.625"	2.40	2.25"	1.70"	3.26
	Over 6'	2.375"	3.65	3.12	2.25"	1.70"	2.78	2.25"	1.70"	3.26
END or CORNER POST	6' or less	2.375"	3.65	3.12	ROLL FORMED STEEL POSTS NOT PERMITTED		"H" COLUMN STEEL POSTS NOT PERMITTED			
	Over 6'	2.875"	5.79	4.64						
BRACE POST	6' or less	2.375"	3.65	3.12	ROLL FORMED STEEL POSTS NOT PERMITTED		"H" COLUMN STEEL POSTS NOT PERMITTED			
	Over 6'	2.875"	5.79	4.64						
GATE POST	6' or less	3.500"	7.58	5.71	ROLL FORMED STEEL POSTS NOT PERMITTED		"H" COLUMN STEEL POSTS NOT PERMITTED			
	Over 6'	4.000"	9.11	6.56						
EXTERIOR FRAME FOR GATE	Gate width 6' or less	1.660"	2.27	1.84	ROLL FORMED STEEL POSTS NOT PERMITTED		"H" COLUMN STEEL POSTS NOT PERMITTED			
	Gate width over 6'	1.900"	2.72	2.28						
HORIZONTAL BRACE	All	1.660"	2.27	1.84	1.625" x 1.25"		1.35			

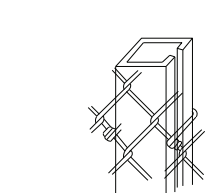


LINE POST

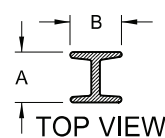
ROLL FORMED POST



TOP & BRACE RAIL



ROLL FORMED POST



"H" COLUMN POST



STRETCHER BAR BAND

NORTH DAKOTA DEPARTMENT OF TRANSPORTATION	
8-5-09	
REVISIONS	
DATE	CHANGE
9-28-10	Revised Equivalent Post Sizes and Weights, details, & notes. Updated to active voice.
10-17-17	Update Design Engr PE Stamp.
8-07-23	

