

INLET - SLOTTED DRAIN

NOTES:

1. Use corrugated steel pipe conforming to applicable sections of the NDDOT Standard Specifications and AASHTO M 36.
2. Use a weldable grade steel for the slotted grate section, rebar anchors, bearing bars, steel plate end, coupling bands, and coupling band clips and weld according to the mechanical requirements of AASHTO M 183. Hot dip galvanize in accordance with AASHTO M 111 after assembly and welding of all components are completed.
3. Include all labor, equipment, and materials necessary to complete the work, except for the concrete curb and gutter and the inlets, in the price bid for "Inlet - Slotted Drain (Size)".
4. Include the non-slotted corrugated pipe angled fitting (see Table 1) in the price bid for "Inlet - Slotted Drain (Size)".
5. Construct in accordance with Sections 714 and 722 of the NDDOT Standard Specifications.

PAY ITEMS

Inlet - Slotted Drain, 12 In	L.F.
Inlet - Slotted Drain, 15 In	L.F.
Inlet - Slotted Drain, 18 In	L.F.
Inlet - Slotted Drain, 24 In	L.F.
Inlet - Slotted Drain, 30 In	L.F.
Inlet - Slotted Drain, 36 In	L.F.

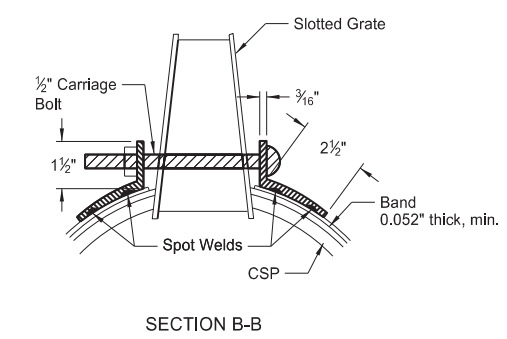
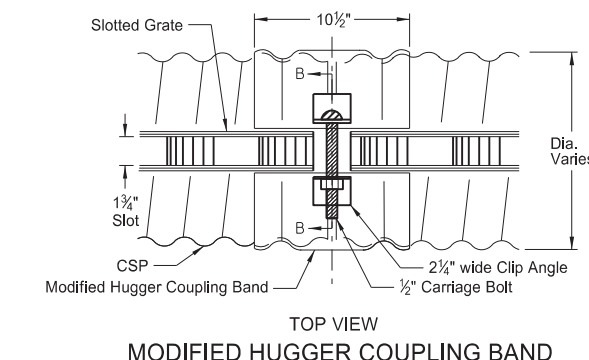
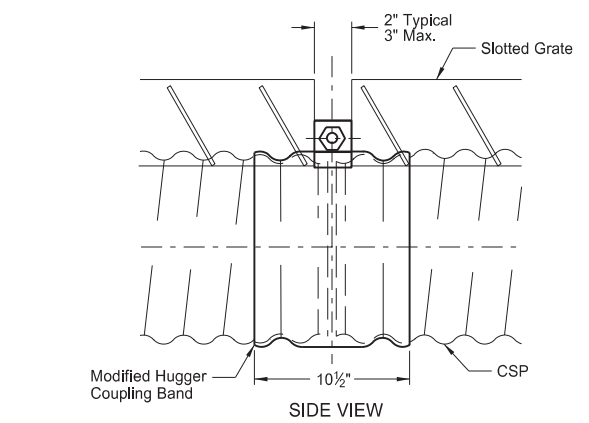
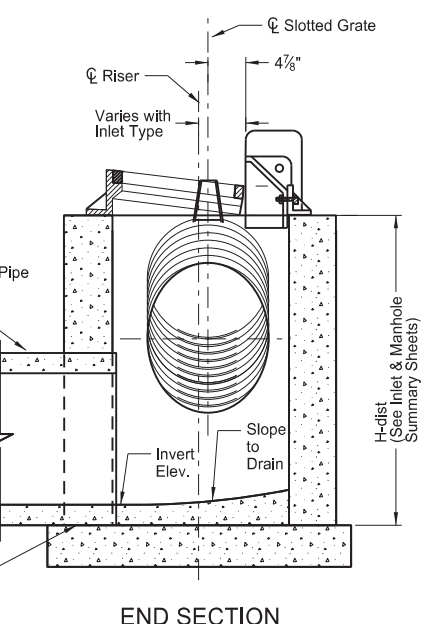
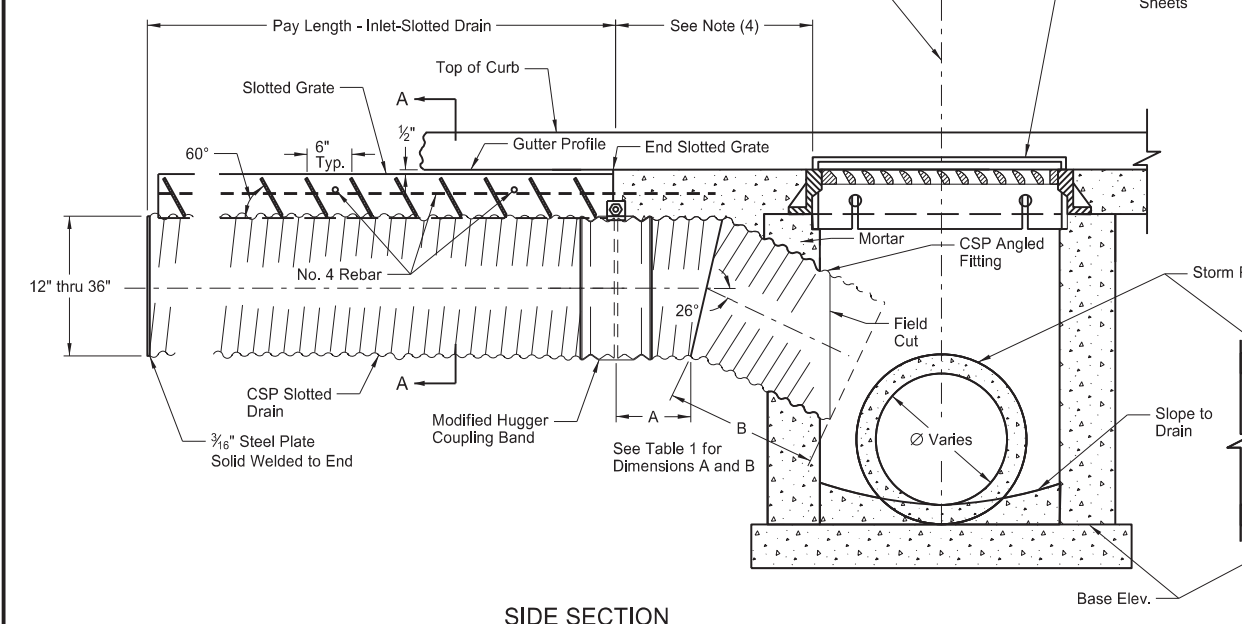
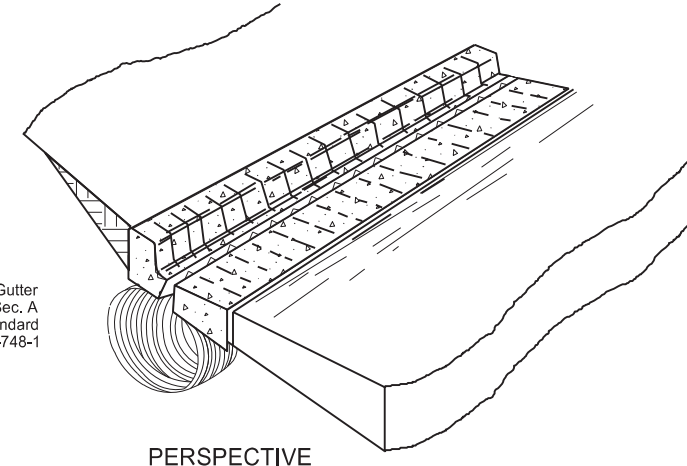
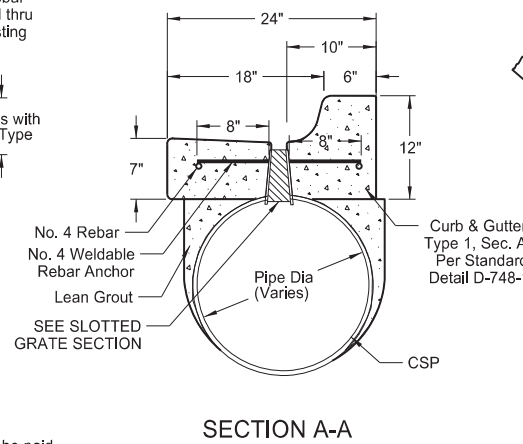
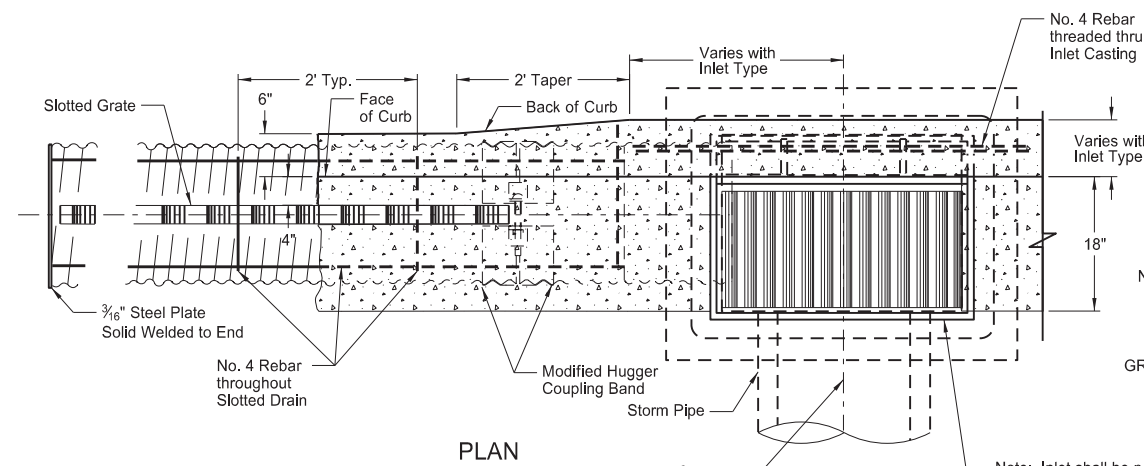


TABLE 1
CSP Angled Fitting Dimensions

Slotted Drain Pipe Dia (in.)	A (in.)	B (in.)							
		Inlet		Inlet - Special					
		Type 1	Type 2	Type 1 48"	Type 1 60"	Type 1 72"	Type 2 48"	Type 2 60"	Type 2 72"
12	12	18(A)	18	35	41	42	31	36	37
15	12	18(A)	18	36	42	43	31	37	38
18	12		18	37	42	43	32	38	39
24	24				44	45		39	41
30	24				45	46		41	42
36	24					48			44

(A) 135° min. angle required between CSP and Storm Pipe for Type 1 Inlet - see Type 1 Inlet Connection Detail

