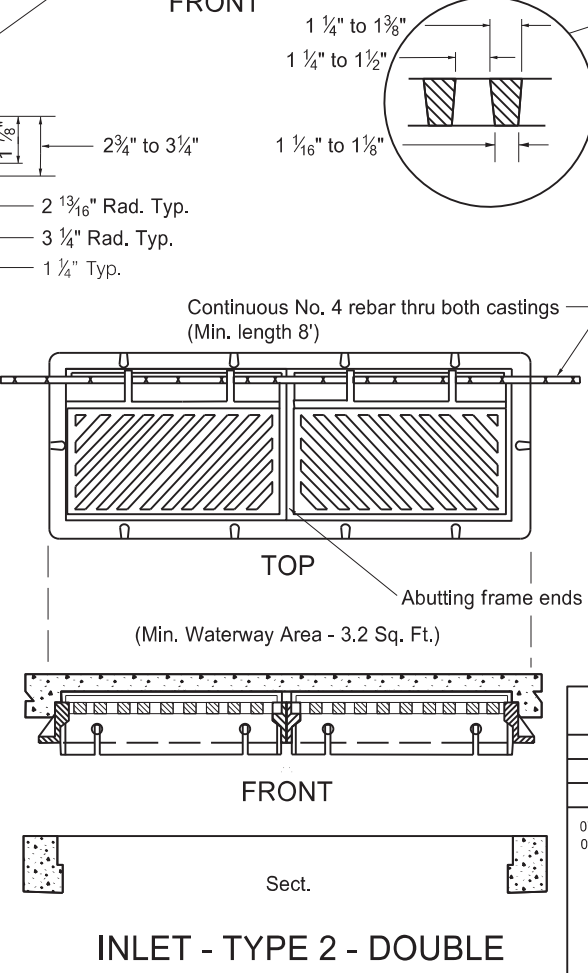
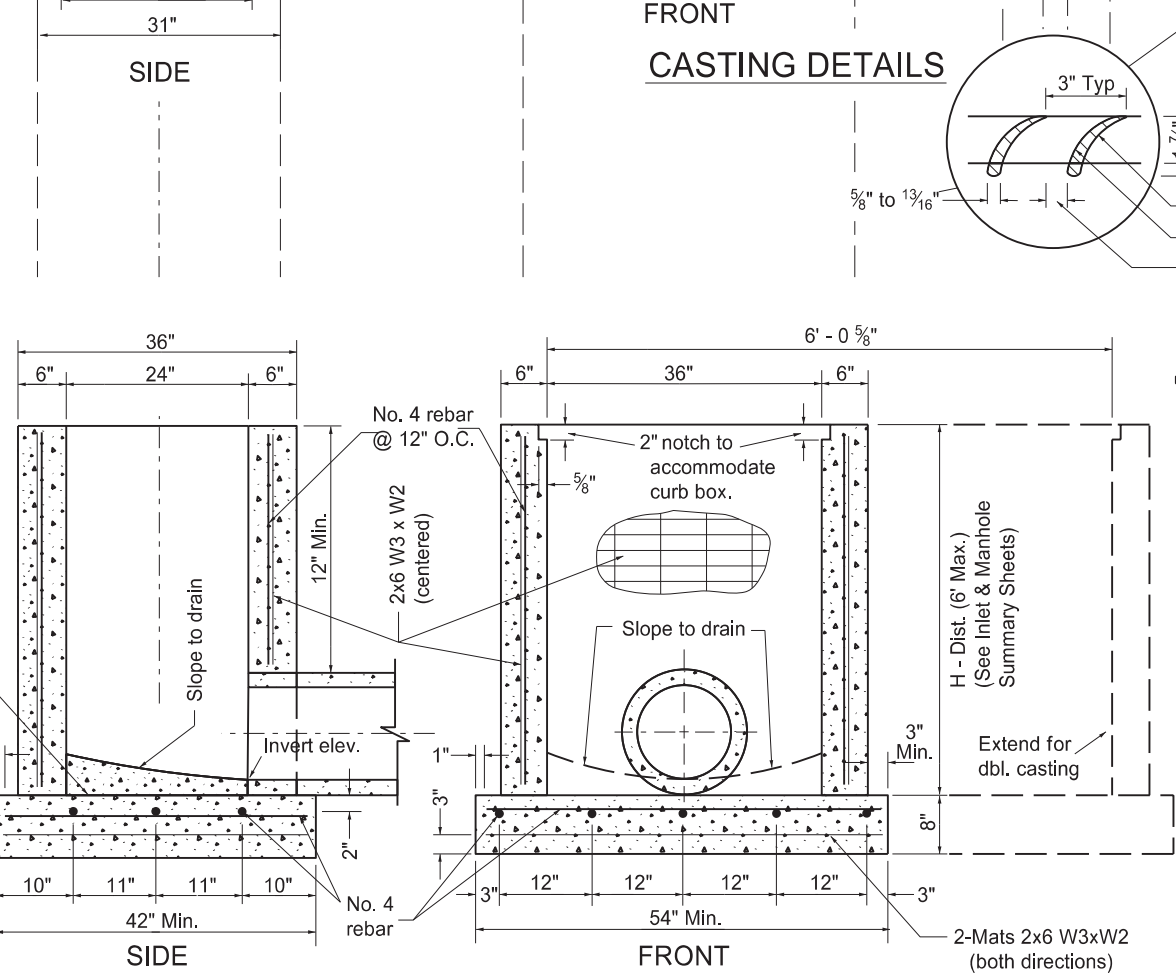
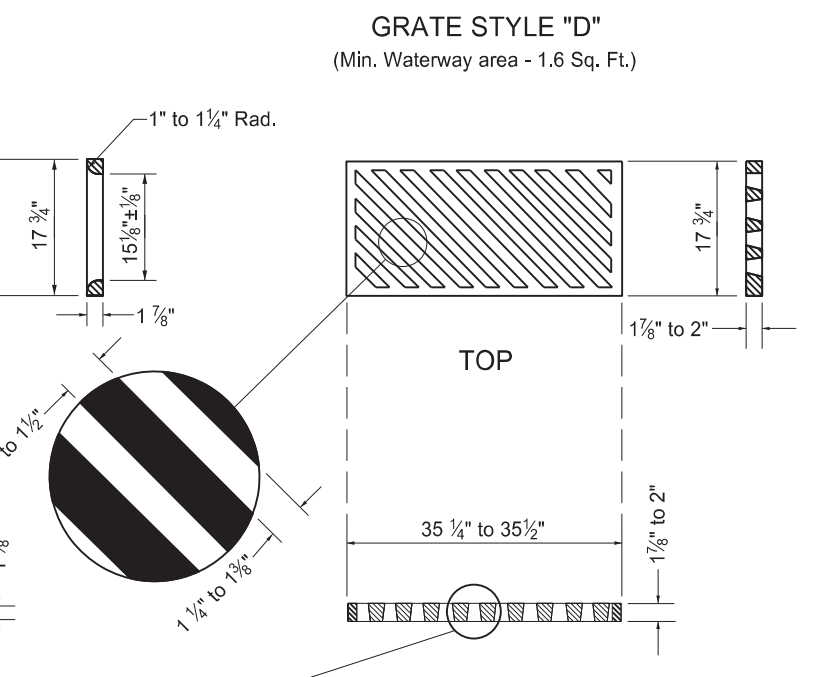
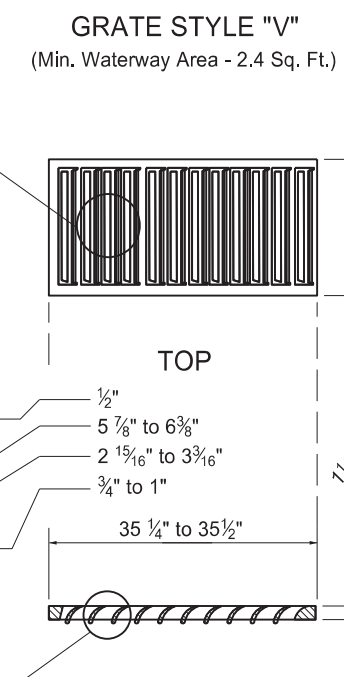
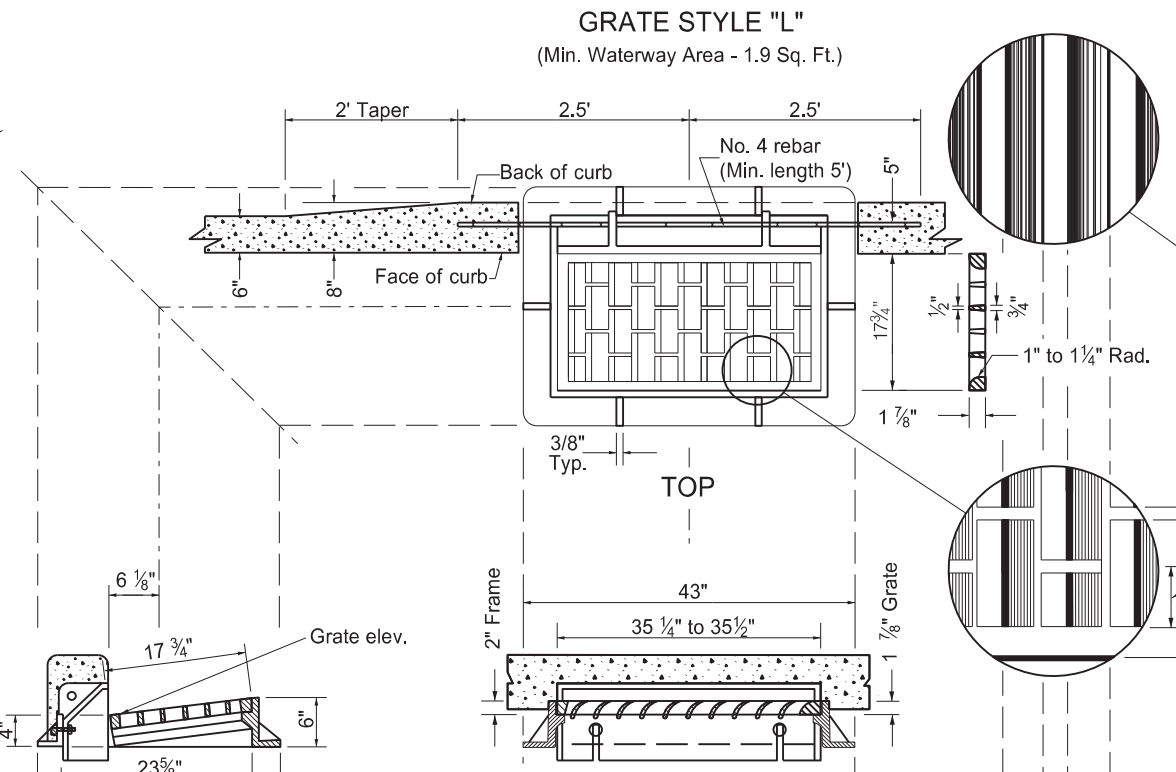
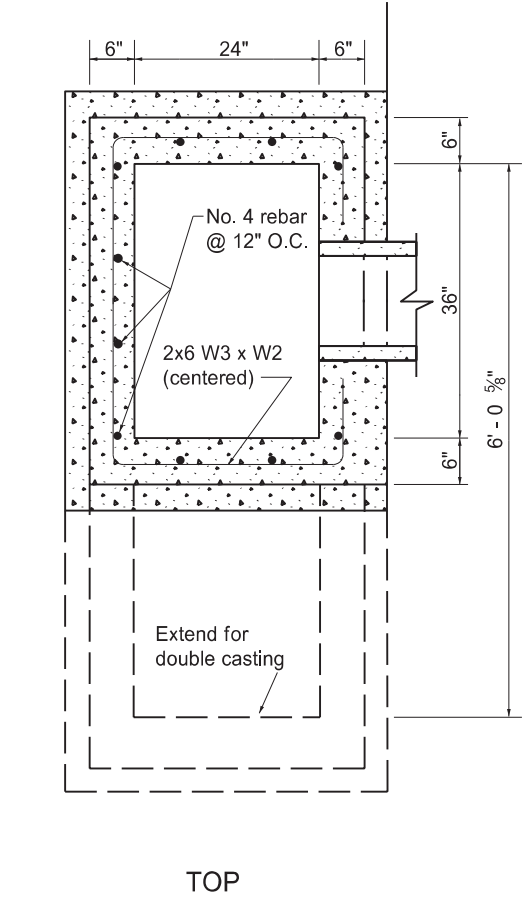
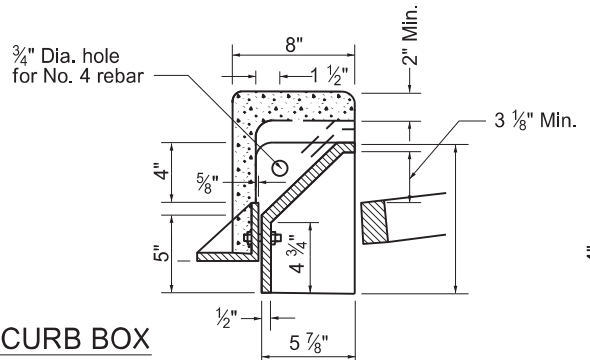
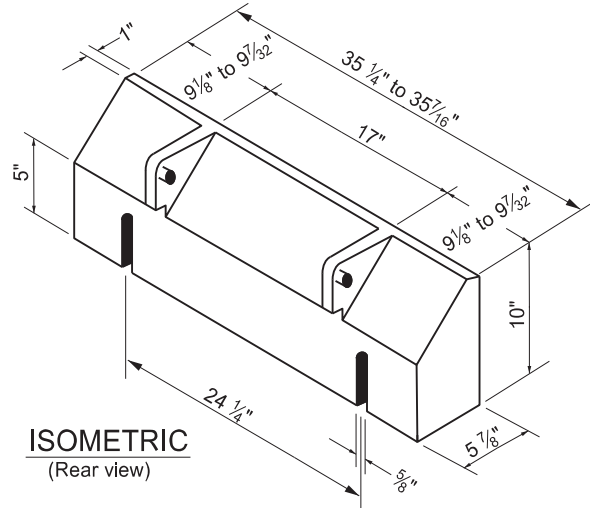


INLET - TYPE 2

Pay Items
 Inlet - Type 2Ea.
 Inlet - Type 2, Double.....Ea.



- Notes:
1. Use of other castings, similar in dimension, is allowed if the casting conforms to the riser section and has a grate style specified in the plans, meeting or exceeding the waterway area listed. Modifications to the inlet to facilitate similar castings are only allowed with written approval from the Engineer.
 2. Use castings manufactured in accordance with AASHTO M306. Use metal conforming to AASHTO M105 Class 35B in the manufacture of castings.
 3. Use Class AE-3 concrete for precast or cast-in-place bases constructed in accordance with Section 722 of the NDDOT Standard Specifications.
 4. Construct precast concrete base and riser in accordance with ASTM C858. Include steel reinforcement as shown in the detail.
 5. Use Grade 60 reinforcing steel that meets the requirements of Section 612 of the NDDOT Standard Specifications.
 6. Construct inlet risers 4 to 5 inches below final elevation and adjust to final grade using adjusting rings or cast-in-place concrete after paving. Include all costs for this adjustment in the price bid for the inlet.
 7. Use a welded wire reinforcing fabric in accordance with AASHTO M336 Grade 65.

NORTH DAKOTA DEPARTMENT OF TRANSPORTATION	
05-12-14	
REVISIONS	
DATE	CHANGE
07-07-14 08-19-21	Revised Note 4 Note revisions Updated base and riser dimensions and notes

