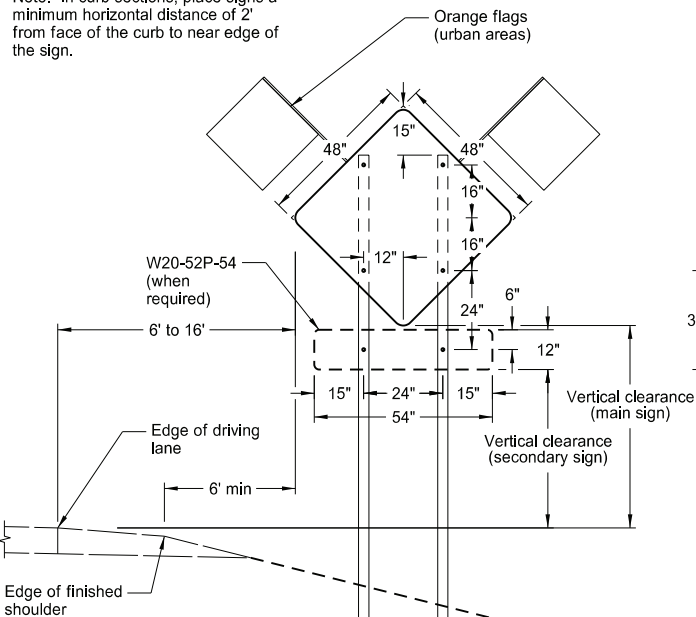
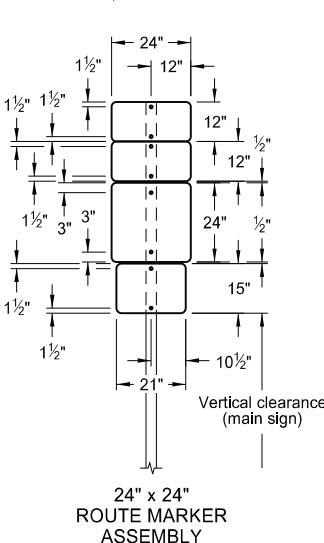


CONSTRUCTION SIGN PUNCHING AND MOUNTING DETAILS

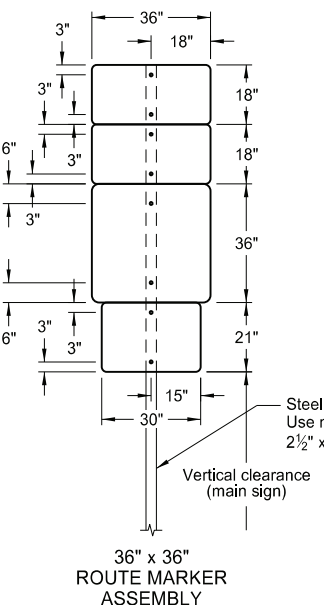
Note: In curb sections, place signs a minimum horizontal distance of 2' from face of the curb to near edge of the sign.



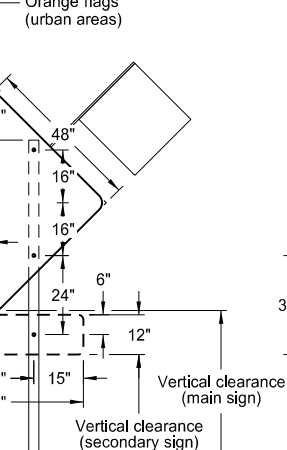
TYPICAL SECTION  
(48" x 48" diamond warning sign shown)



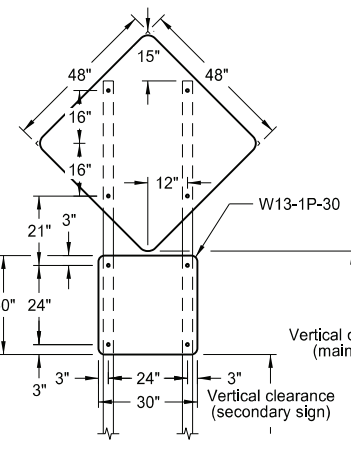
24" x 24" ROUTE MARKER ASSEMBLY



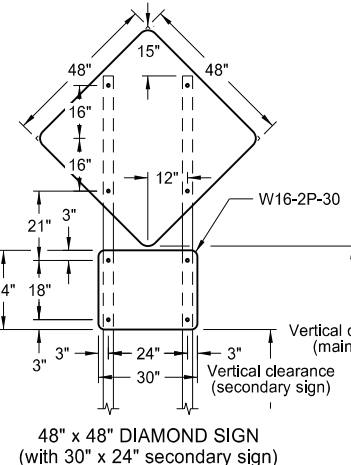
36" x 36" ROUTE MARKER ASSEMBLY



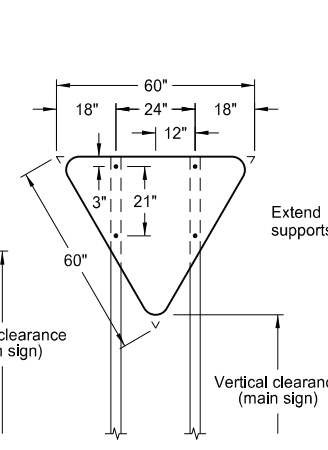
18" x 18" DIAMOND SIGN



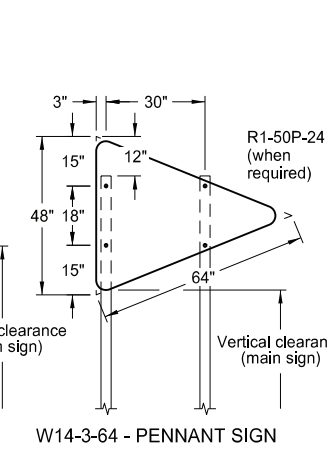
48" x 48" DIAMOND SIGN (with 30" x 30" secondary sign)



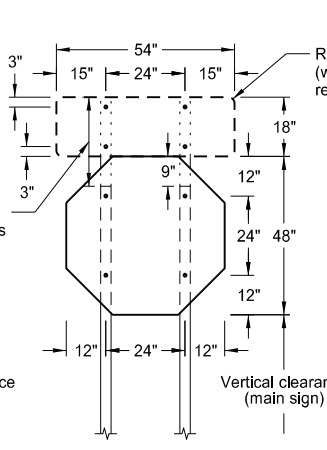
48" x 48" DIAMOND SIGN (with 30" x 24" secondary sign)



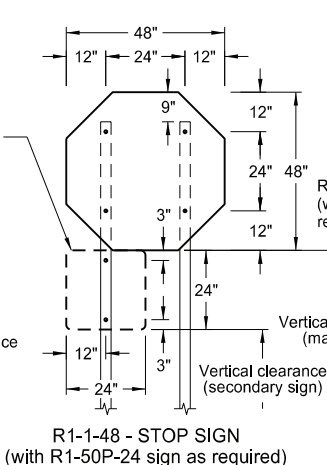
R1-2-60 - YIELD SIGN



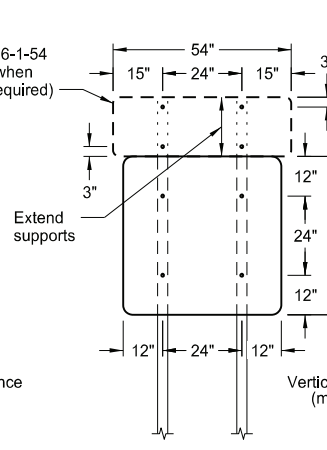
W14-3-64 - PENNANT SIGN



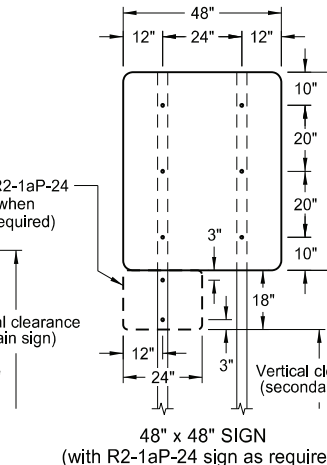
R1-1-48 - STOP SIGN (with R6-1-54 sign as required)



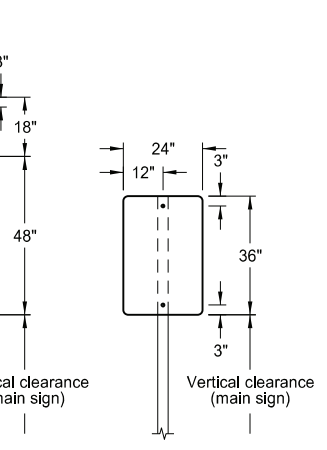
R1-1-48 - STOP SIGN (with R1-50P-24 sign as required)



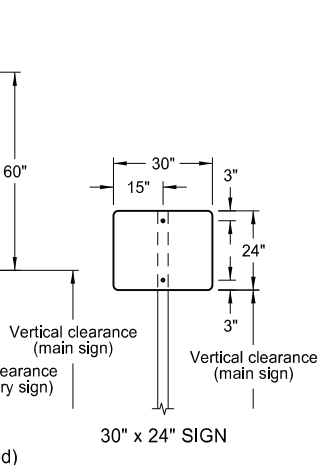
48" x 48" SIGN (with R6-1-54 sign as required)



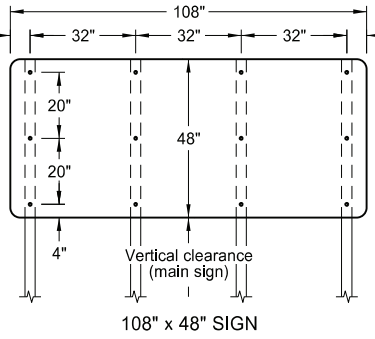
48" x 48" SIGN (with R2-1aP-24 sign as required)



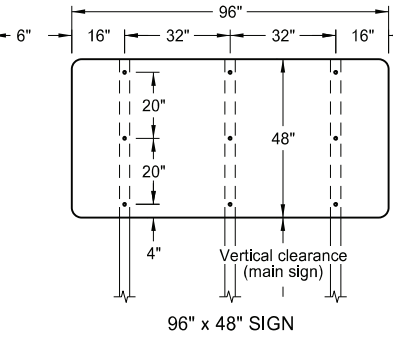
24" x 36" SIGN



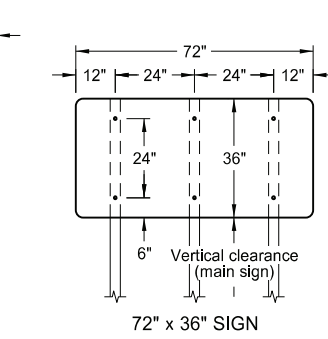
30" x 24" SIGN



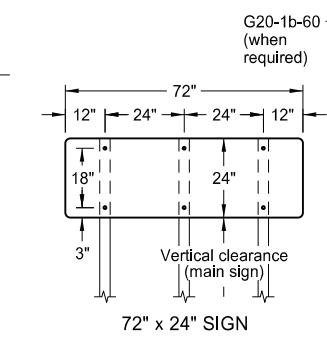
108" x 48" SIGN



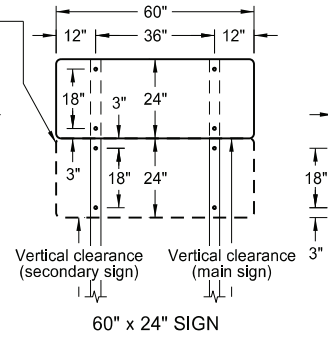
96" x 48" SIGN



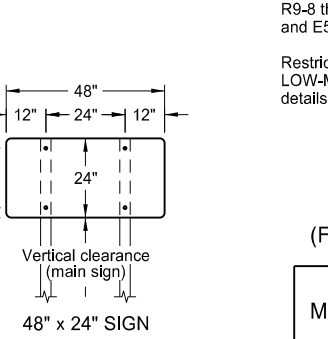
72" x 36" SIGN



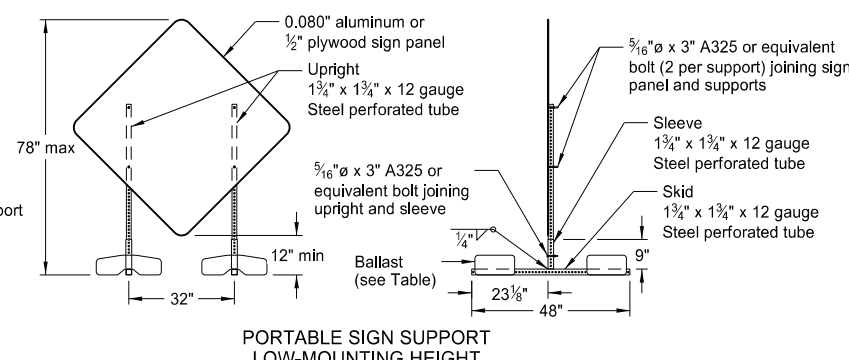
72" x 24" SIGN



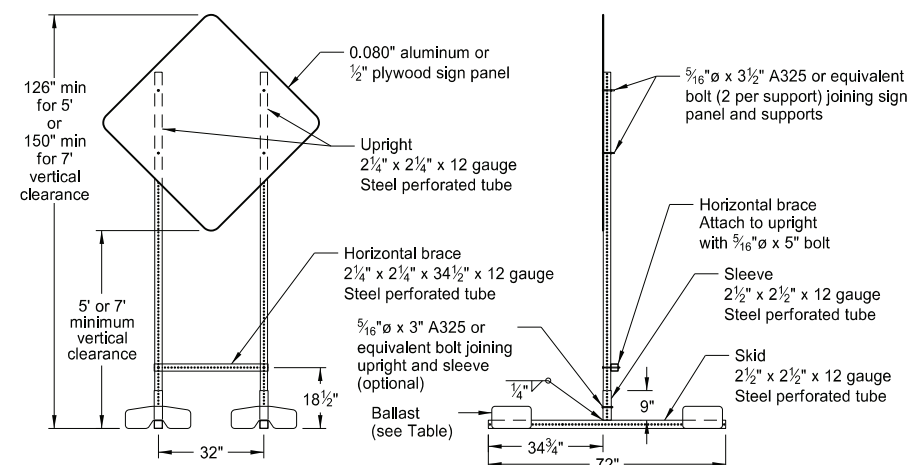
60" x 24" SIGN



48" x 24" SIGN



PORTABLE SIGN SUPPORT LOW-MOUNTING HEIGHT



PORTABLE SIGN SUPPORT HIGH-MOUNTING HEIGHT

NOTES:

- Sign Supports: Galvanize or paint supports. Minimum post sizes are 2.5 lb/ft u-channel or 2" x 2" x 12 gauge steel perforated tube, except where noted. When installing signs on u-channel, minimum post size for assemblies containing a secondary sign is 3.0 lb/ft. Post sizes based on a wind speed of 55 MPH.  
Place signs over 50 square feet on 2 1/2" x 2 1/2" perforated tube supports as a minimum.  
Do not attach guy wires to sign supports. Attach wind beams behind sign panels when used with u-posts.
- Sign Panels: Provide sign panels made of 0.100" aluminum, 1/2" plywood, or other approved material, except where noted. Punch all holes round for 3/8" bolts.
- Alternate Messages: Install and remove alternate message signs on reflectorized plate (without borders) as required. (i.e. "Left" and "Right" message on lane closure sign)
- Route Marker Auxiliary Signs: Provide route marker auxiliary signs, such as the cardinal direction and directional arrows, with a background and legend that match the route marker they are used with:  
Interstate - white legend on blue background  
Interstate Business Loop - white legend on green background  
US and State - black legend on white background  
County - yellow legend on blue background
- Vertical Clearance: Install signs with a vertical clearance of 5'-0" (see TYPICAL SECTION.) In areas where parking or pedestrian movements are likely or the view of the sign may be obstructed, install signs with a vertical clearance of 7'-0" from the top of the curb or from the near edge of the driving lane in absence of a curb.  
The vertical clearance to secondary signs is 1'-0" less than the vertical clearance stated above.  
Provide a minimum clearance of 7'-0" from the ground at the post for signs with an area exceeding 50 square feet.
- Portable Signs: Provide portable signs that meet the vertical clearance stated above when it is necessary to place signs within the pavement surface.  
Use of low-mounting height (minimum 12" vertical clearance) portable signs for 5 days or less, is allowed as long as the view of the sign is not obstructed. Time delays caused by unforeseen circumstances, such as equipment breakdown, rain, subgrade failures, etc., will not accrue towards the 5 day period. Use of R9-8 through R9-11a series, W1-6 through W1-8 series, M4-10, and E5-1 is allowed for longer than 5 days.  
Restrict signs mounted on portable sign supports shown in the LOW-MOUNTING HEIGHT and HIGH-MOUNTING HEIGHT details to a maximum surface area of 16 square feet.

MINIMUM BALLAST  
(For each side of sign support base)

Sign Panel Mounting Height (ft)	Number of 25 lb sandbags for 4' x 4' sign panel
1'	6
5'	8
7'	10

Note: The number of sandbags are based on a wind speed of 55 MPH. Place sandbags at or near the ends of sklds.

NORTH DAKOTA DEPARTMENT OF TRANSPORTATION	
10-4-13	
REVISIONS	
DATE	CHANGE
11-14-13	Revised Note 6
9-27-17	Updated to active voice
11-01-19	Revised 60"x24" sign detail
8-01-24	Electronic Stamp/Signature



08/01/24