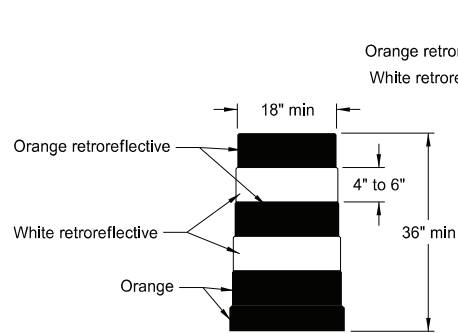
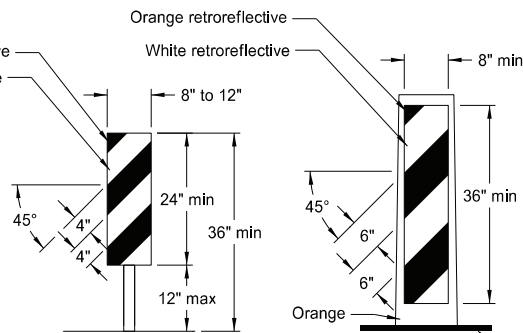


BARRICADE AND CHANNELIZING DEVICE DETAILS



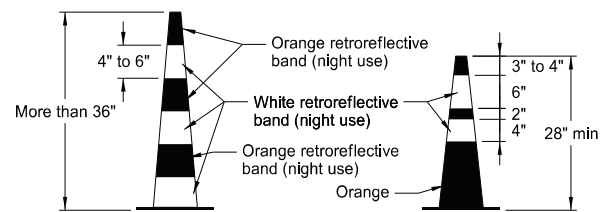
DELINEATOR DRUM

Provide horizontal, circumferential, alternating orange and white retroreflective stripes 4" to 6" wide for drum markings. Use a minimum of two orange and two white stripes with the top stripe being orange for each drum. Do not exceed 3" nonretroreflective spaces between the horizontal orange and white stripes. Avoid placement of stripes on drum ribs or indentations. Use closed top drums that will not allow collection of debris. Do not place ballast on the top of drum.



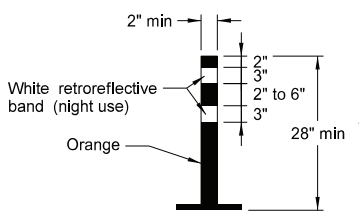
VERTICAL PANEL

Provide alternating orange and white retroreflective stripes, sloping downward in direction vehicular traffic is to pass. Place retroreflective sheeting on both sides of panel with a minimum of 270 square inches of retroreflective area facing vehicular traffic. Where the height of the retroreflective material on the vertical panel is 36 inches or more, use a stripe width of 6 inches.



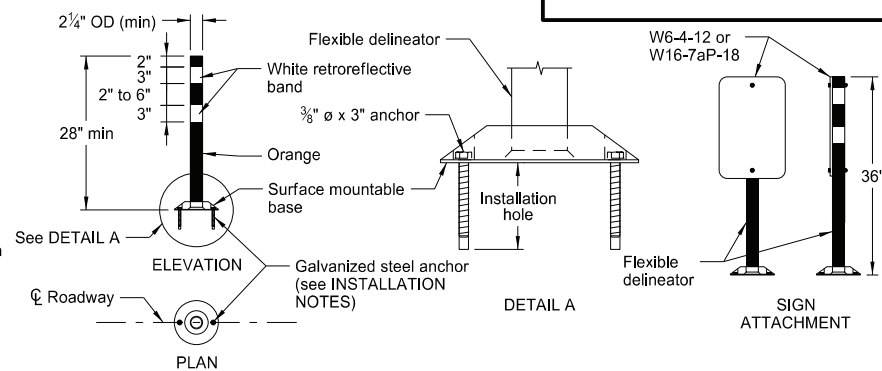
TRAFFIC CONE

Provide retroreflective cones more than 36" in height by alternating orange and white retroreflective stripes. Use a minimum of two orange and two white stripes for each cone with the top stripe being orange. Use maximum 3" nonretroreflective space between the orange and white stripes.



TUBULAR MARKER

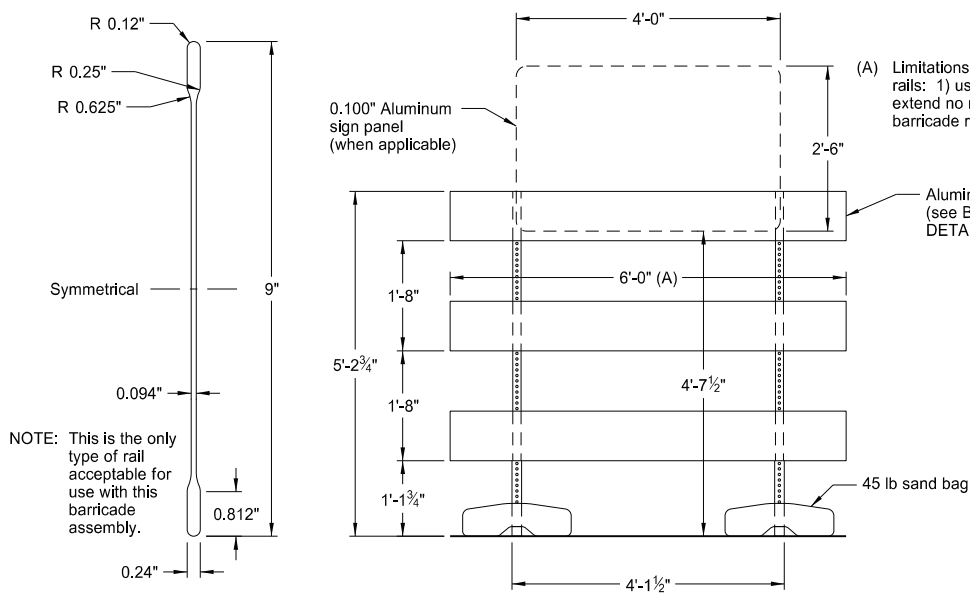
Provide retroreflective tubular markers more than 42" in height by alternating four 4" to 6" wide orange and white stripes with the top stripe being orange.



FLEXIBLE DELINEATOR

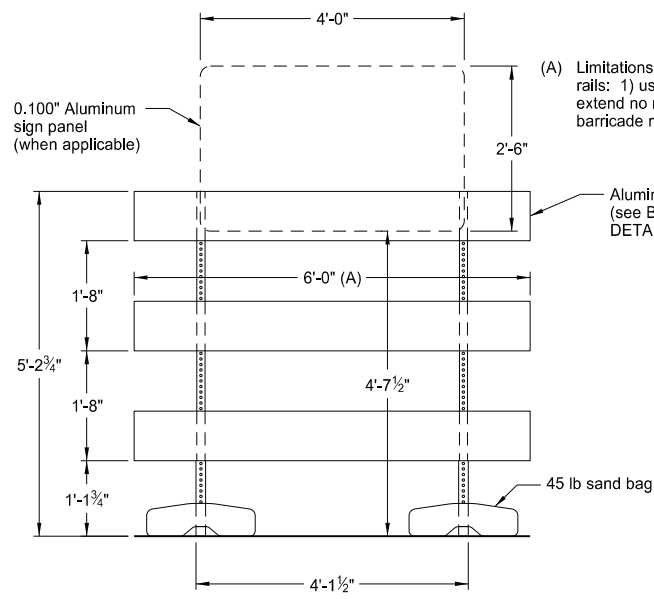
INSTALLATION NOTES:

1. Drill installation holes to diameter and depth required by manufacturer's specifications.
2. For removal, remove anchors and fill installation hole with an epoxy designed to bond to pavement surface.
3. In lieu of bolted down base, use an 8" x 8" butyl pad or hot melt butyl. Remove butyl as close as possible to pavement surface.



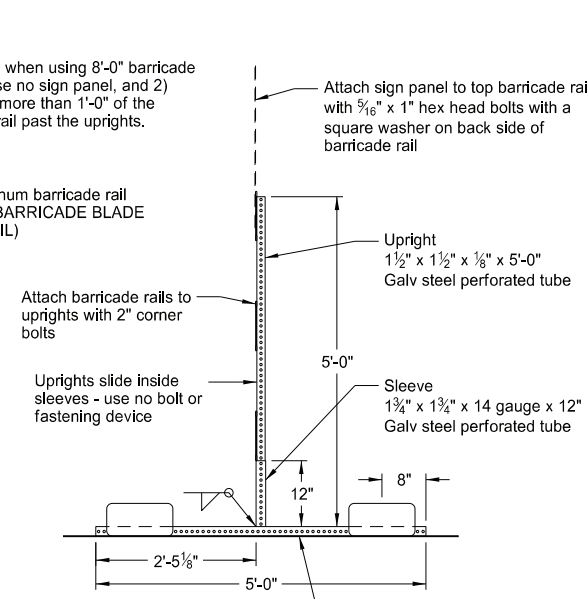
BARRICADE BLADE DETAIL

NOTE: This is the only type of rail acceptable for use with this barricade assembly.

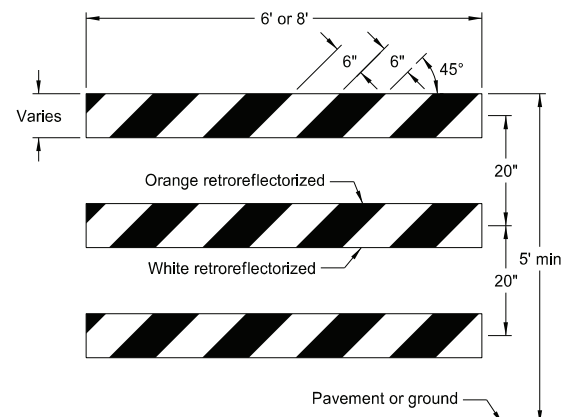


ELEVATION VIEW

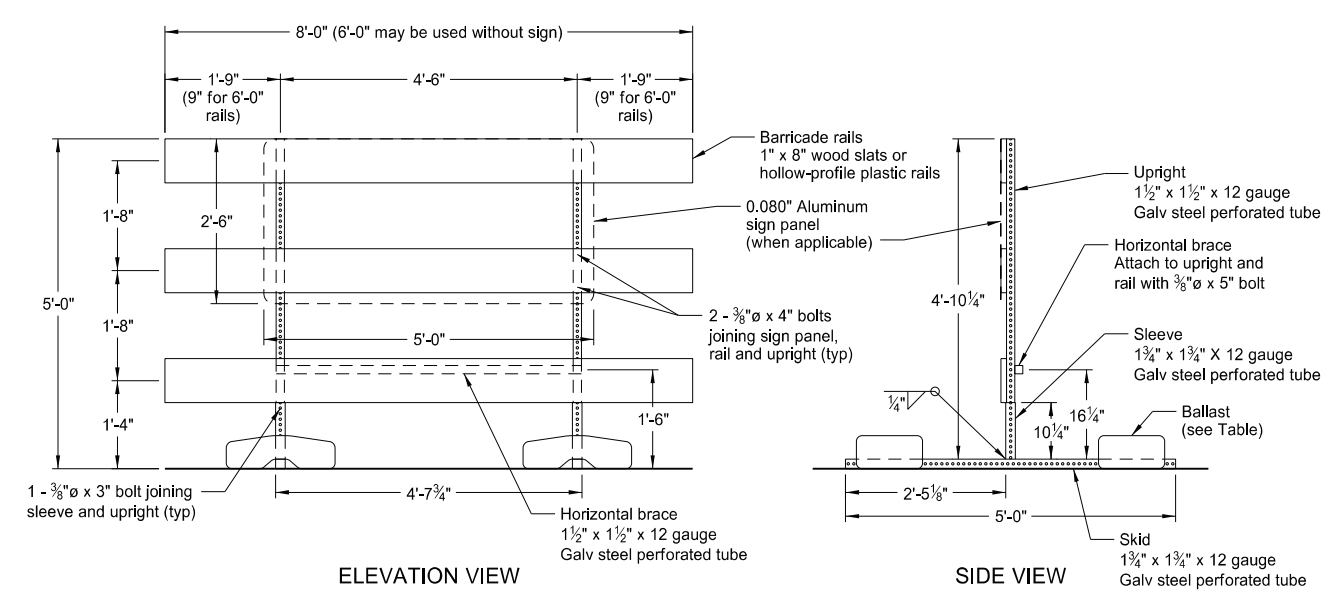
BARRICADE ASSEMBLY DETAIL (Aluminum Barricade Rails)



SIDE VIEW



TYPE III BARRICADE



ELEVATION VIEW

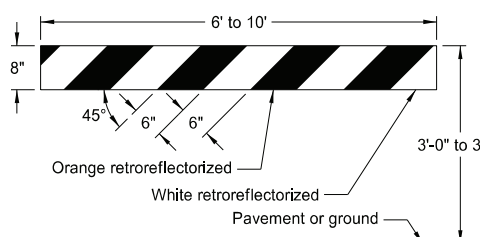
BARRICADE ASSEMBLY DETAIL (Wood or Plastic Rails)

MINIMUM BALLAST

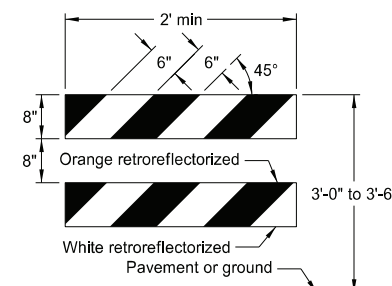
(For each side of barricade support)

| | |
|--------------|--------------------|
| Without Sign | 4 - 25 lb sandbags |
| With Sign | 6 - 25 lb sandbags |

Note: Number of sandbags based on a wind speed of 55 MPH. Sandbags assumed to be placed at or near the ends of the skids.

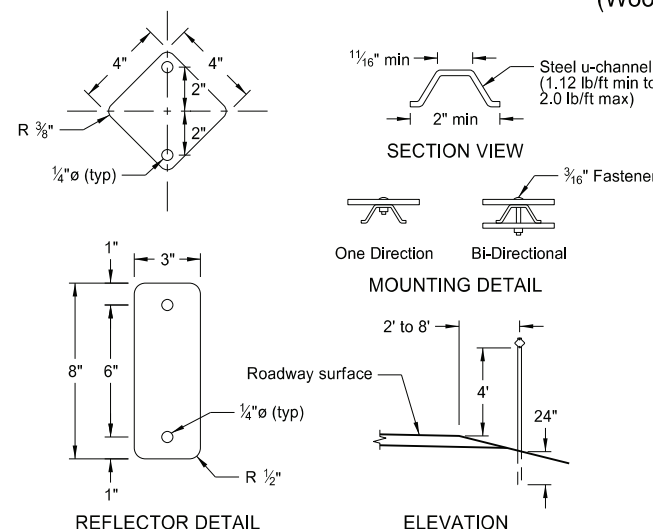


TYPE I BARRICADE



TYPE II BARRICADE

BARRICADE RAIL DETAILS



REFLECTOR DETAIL

ELEVATION

DELINEATORS

| | |
|---|---|
| NORTH DAKOTA DEPARTMENT OF TRANSPORTATION | |
| 10-3-13 | |
| REVISIONS | |
| DATE | CHANGE |
| 9-27-17 | Updated to active voice |
| 11-01-19 | Revised details for Flexible Delineator |
| 8-01-24 | Electronic Stamp/Signature |



08/01/24