

WORK ZONE BUSINESS SIGN DETAILS

D-704-4

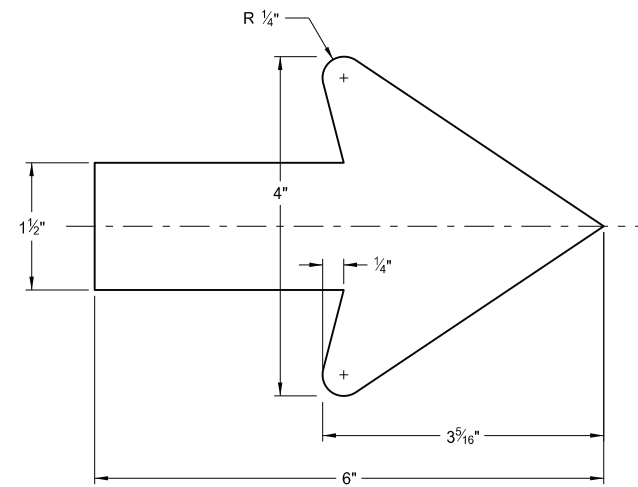
Note:

Ground mounted business name sign area is based on a 36" x 24" sign panel. Determine size needed and exact length required to accommodate message. Use maximum 36"x24" sign size. Use 4" Series B 2000 letters. Use blue background color with white legend and border. Post mount sign and position arrow on right or left side of sign as needed.

| | | | | | | |
|-----------------------|-------------------------------------|-------------|------------------|----|-------|--|
| SIGN NUMBER | Business_# | STATION(S): | AREA: 6.0 Sq.Ft. | | | |
| WIDTH X HEIGHT | 3'-0" x 2'-0" | | | | | |
| BORDER WIDTH | 0.5" (inset 0") | | | | | |
| CORNER RADIUS | 1.5" | | | | | |
| MOUNTING | Ground | | | | | |
| BACKGROUND | TYPE: IV Reflective COLOR: Blue | | | | | |
| LEGEND/BORDER | TYPE: IV Reflective COLOR: White | | | | | |
| SYMBOL | X | Y | WID | HT | ANGLE | |
| ND_4IN_TYPE D | 2.5 | 1.5 | 4 | 6 | 90 | |
| ND_4IN_TYPE D | 27.5 | 1.5 | 4 | 6 | 270 | |
| | | | | | | |
| | | | | | | |
| | | | | | | |

Dimensions are in inches.tenths Letter locations are panel edge to lower left corner

| LETTER POSITION (X) | | | | | | | | | | | LENGTH | SIZE | SERIES |
|---------------------|------|------|------|------|------|------|------|------|------|------|--------|------|--------|
| S | T | E | A | K | | H | O | U | S | E | | | |
| 6.1 | 8.2 | 10.2 | 12.1 | 14.8 | 16.6 | 18.6 | 21 | 23.6 | 26 | 28.4 | 23.8 | 4 | B 2000 |
| G | A | S | | S | T | A | T | I | O | N | | | |
| 6.9 | 9 | 11.5 | 13.2 | 15.2 | 17.3 | 19 | 21.4 | 23.5 | 24.8 | 27.4 | 22.2 | 4 | B 2000 |
| C | A | F | E | | | | | | | | 8.5 | 4 | B 2000 |
| 13.8 | 15.9 | 18.6 | 20.7 | | | | | | | | | | |
| | | | | | | | | | | | | | |
| | | | | | | | | | | | | | |
| | | | | | | | | | | | | | |



| | |
|--|------------------------------|
| NORTH DAKOTA DEPARTMENT OF TRANSPORTATION | |
| 9-25-12 | |
| REVISIONS | |
| DATE | CHANGE |
| 7-18-14 | Revised sheeting to type IV |
| 8-17-17 | Revised font & arrow detail |
| 10-03-19 | New Design Engineer PE Stamp |
| 8-01-24 | Electronic Stamp/Signature |



08/01/24