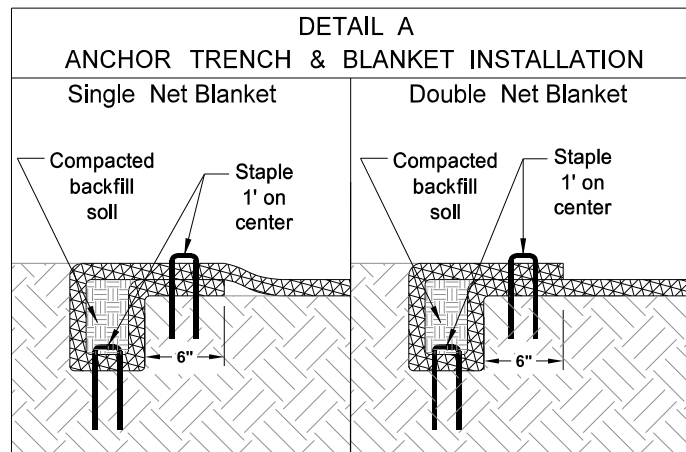
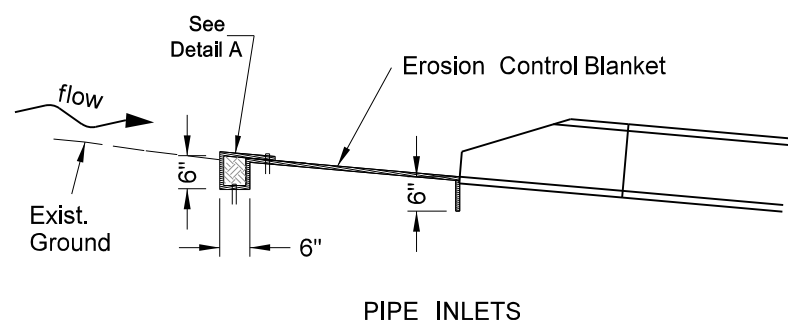
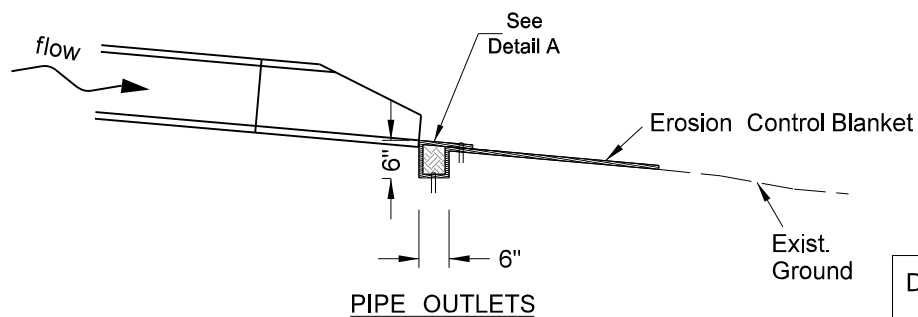


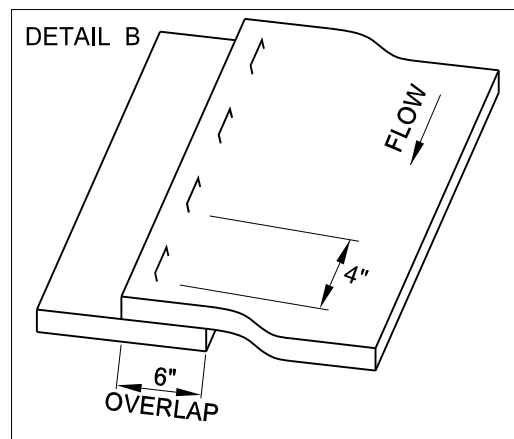
EROSION AND SILTATION CONTROL
EROSION CONTROL BLANKET INSTALLATION



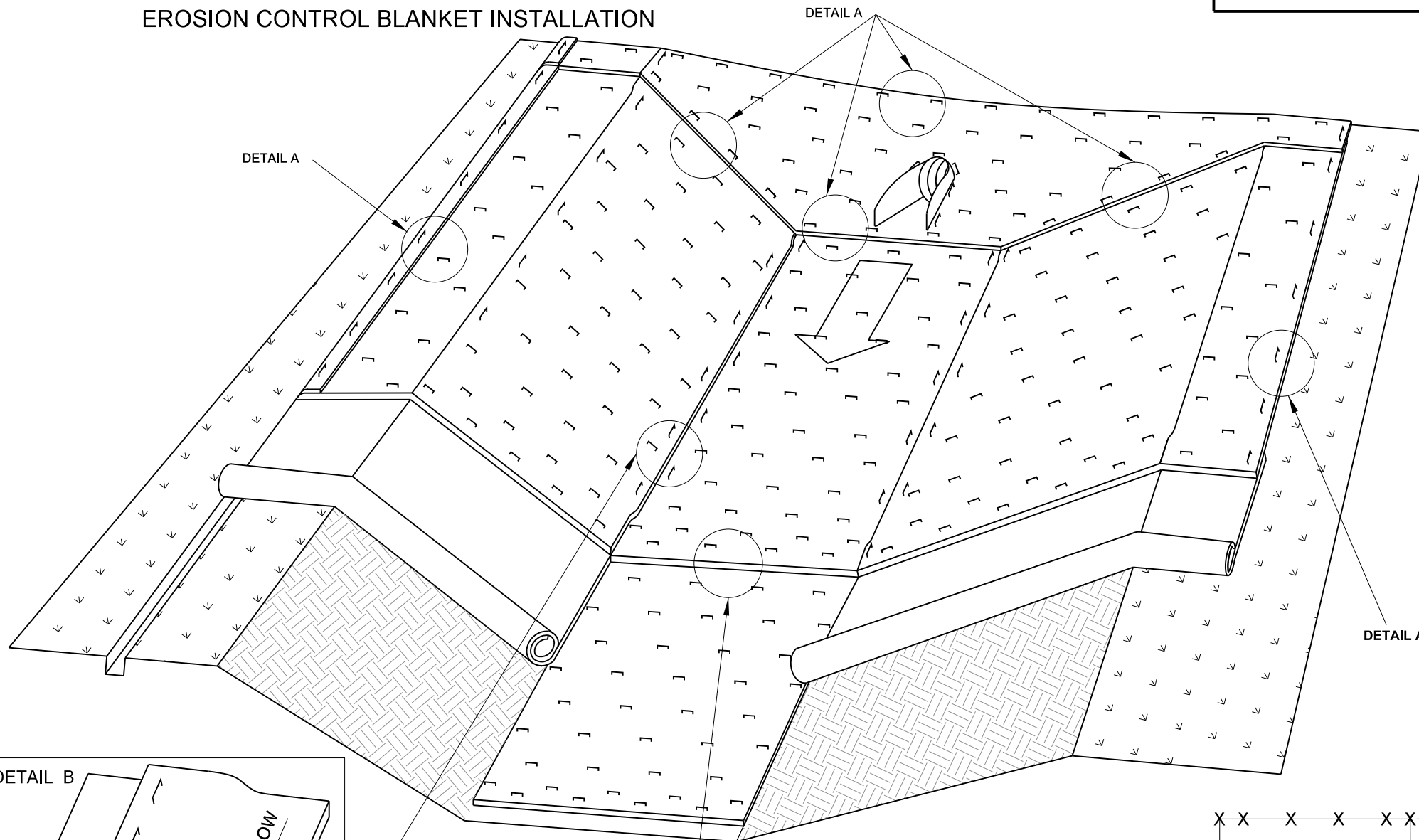
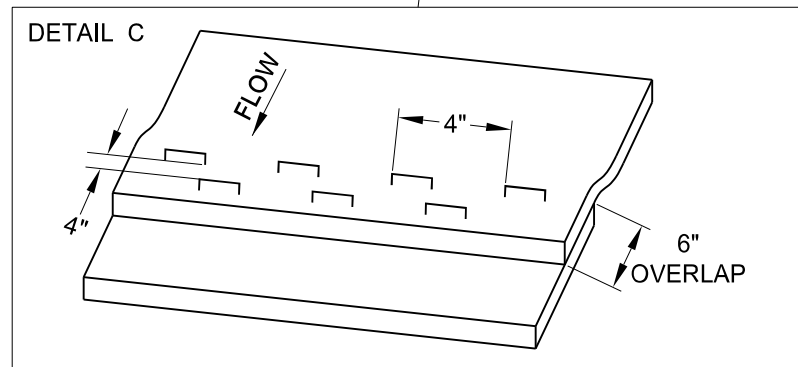
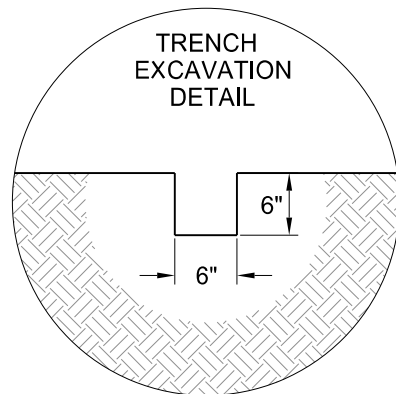
NOTE:
If a Single Net Blanket is used the side with the netting should be on the top once the blanket is installed.



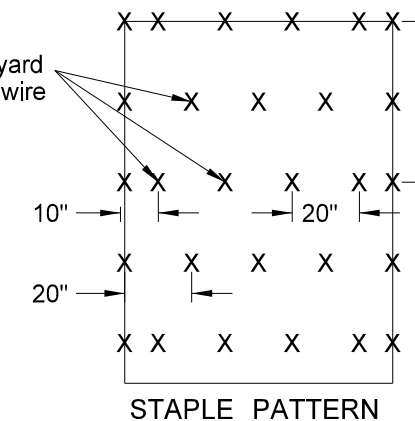
INSTALLATION AT PIPE ENDS



BLANKET LAYOUT
CHANNEL OR SLOPE INSTALLATION



3.8 staples per square yard using 8-inch 11 gauge wire "u" staples.



NORTH DAKOTA DEPARTMENT OF TRANSPORTATION	
10-03-13	
REVISIONS	
DATE	CHANGE
06-26-14	Changed standard drawing number from D-708-5 to D-255-2.
07-27-15	Changed Installation details such as trench depth and overlap dimensions.
08-27-19	New Design Engineer PE Stamp.

This document was originally issued and sealed by
Kirk J Hoff,
Registration Number
PE- 4683,
on 08/27/19 and the original document is stored at the North Dakota Department of Transportation