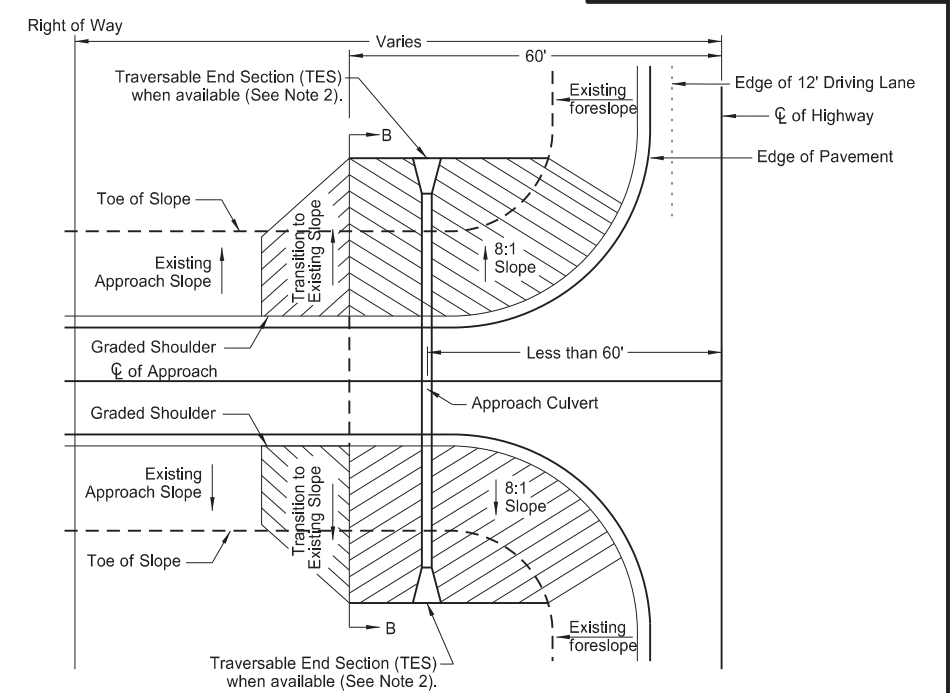
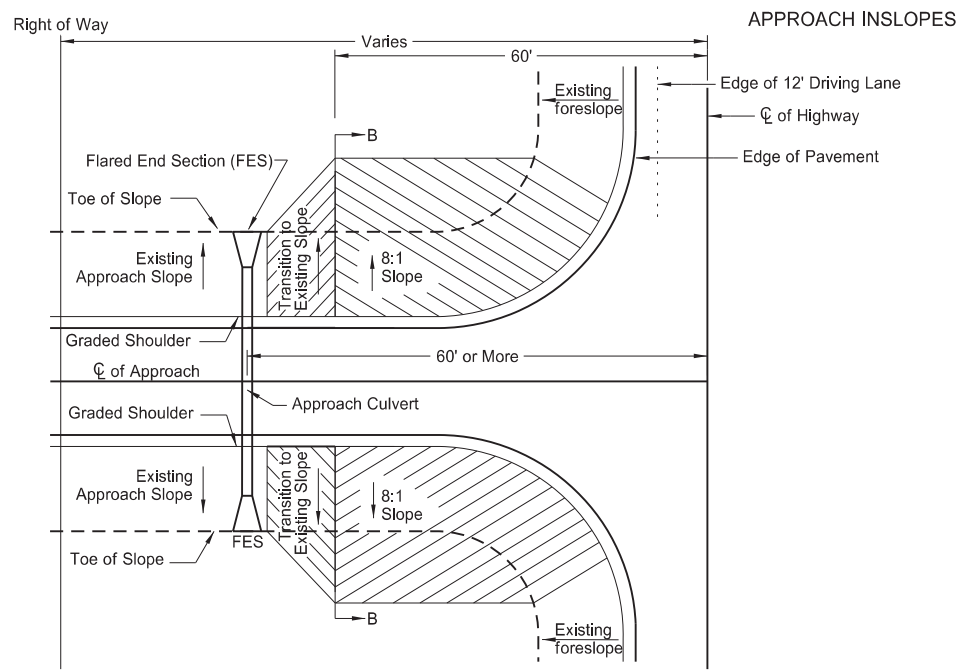
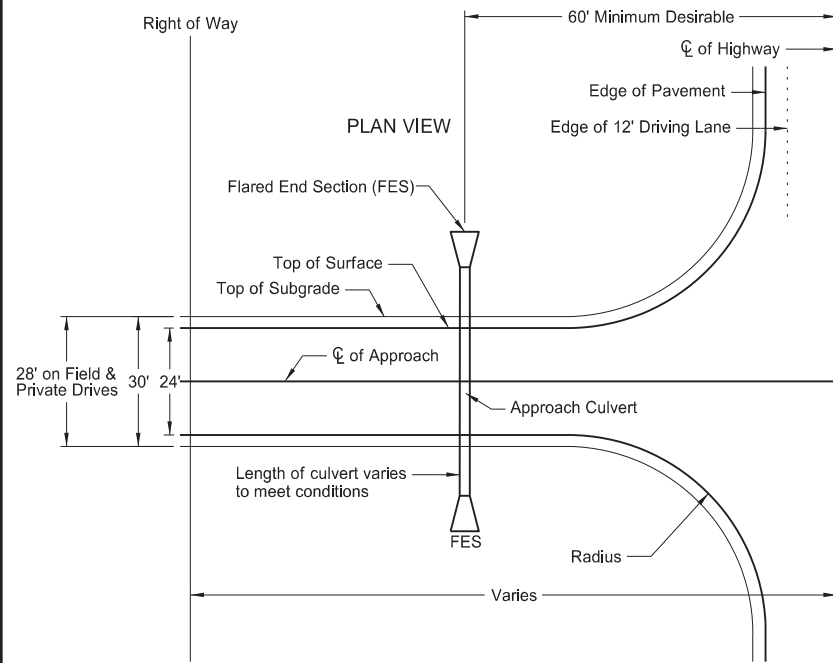


STANDARD RURAL APPROACHES



CASE 1

APPROACH PIPE LOCATED 60' OR MORE FROM Cl

CASE 2

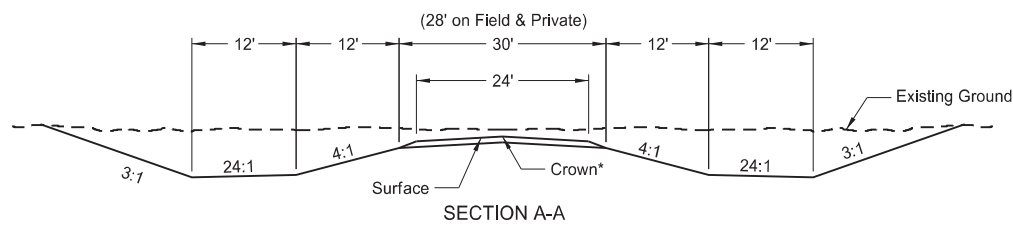
APPROACH PIPE LOCATED LESS THAN 60' FROM Cl

Approach Pipe Traversable End Sections (TES)

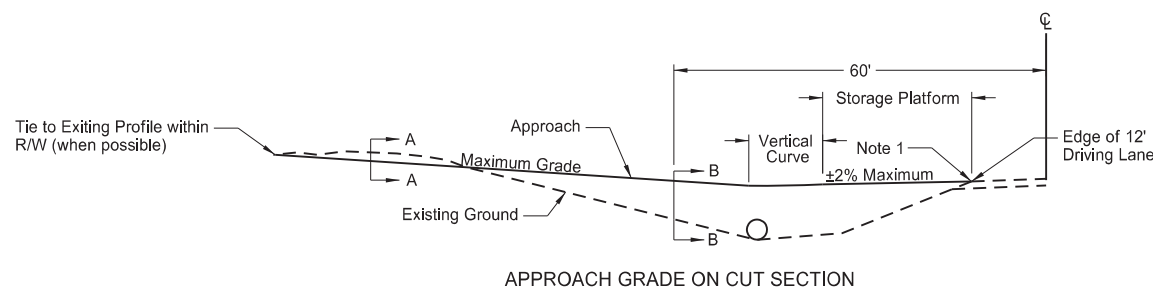
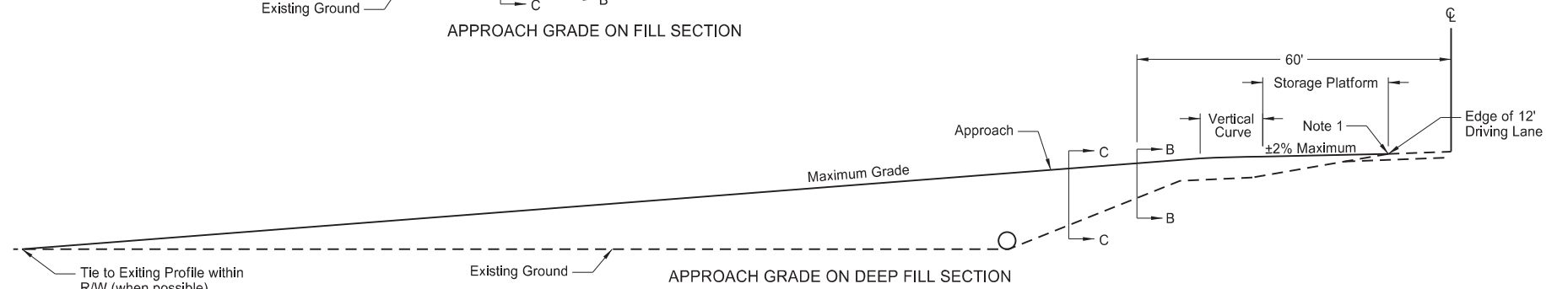
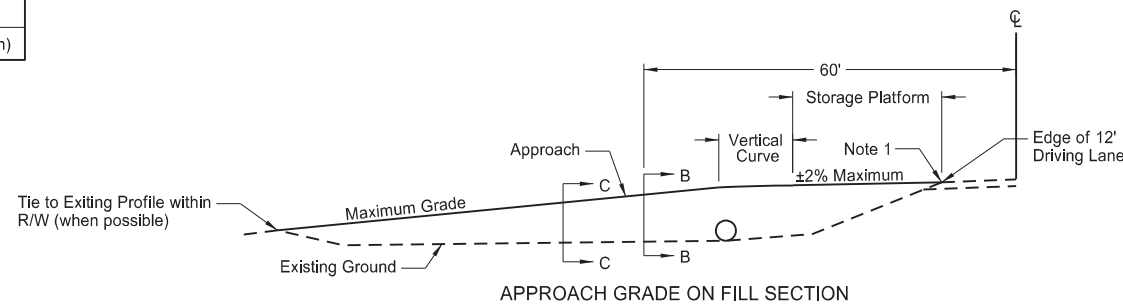
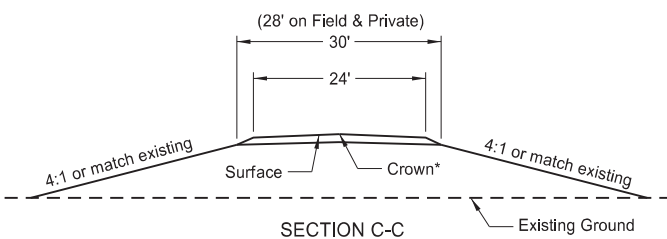
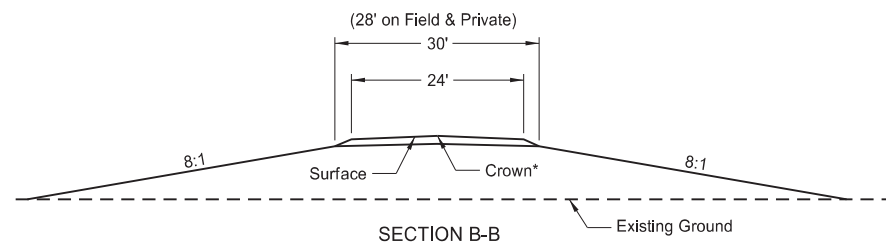
RCP	CSP	CSP Arch
15"	15"	
18"	18"	21"x15"
		24"x18"
24"	24"	28"x20"

CRITERIA FOR RURAL APPROACH TYPES

	Field Drives	Private Drives	Low Volume Public Roads
Radius	R=40 ft	R=40 ft	R=50 ft
Maximum Grade	10%	7%	7%
Storage Platform	24 ft	24 ft	50 ft
Vertical Curve Length	10 ft	10 ft	Varies (Min. 20 mph)



*2.1% crown for paved surface
*3.0% crown for gravel surface



NOTES:

- 5% Max Rollover between approach storage platform and highway.
- Approach pipes up to 24" diameter are acceptable (with traversable end sections) for Case 2. Install approach pipes larger than 24" diameter in accordance with Case 1.

NORTH DAKOTA DEPARTMENT OF TRANSPORTATION	
2-25-14	
REVISIONS	
DATE	CHANGE
06-30-17	Revised Radius, Storage Platform, Inslope dimensions, and Note 1
10-25-19	Changed "Inslope" to "Foreslope"
06-29-22	Added "TES", Table, and Note 2



06/29/22