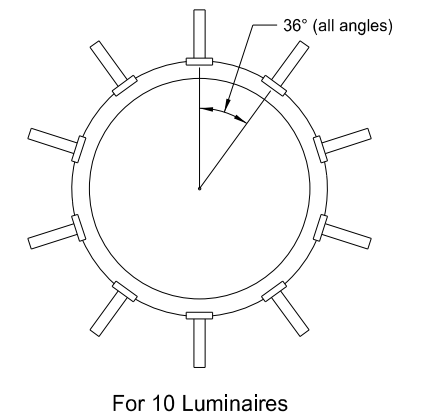
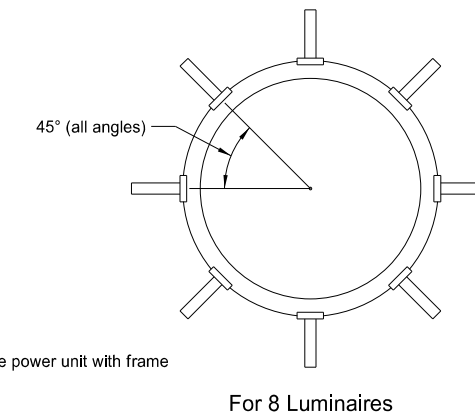
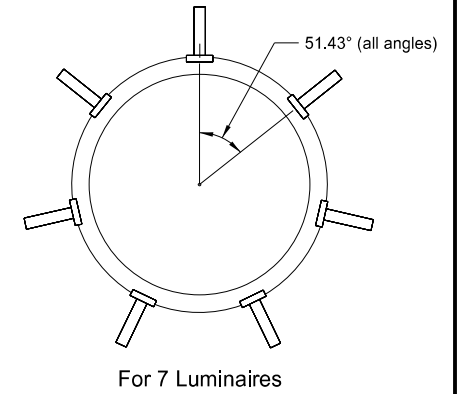
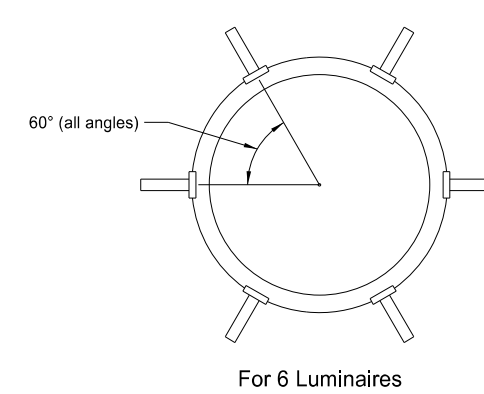
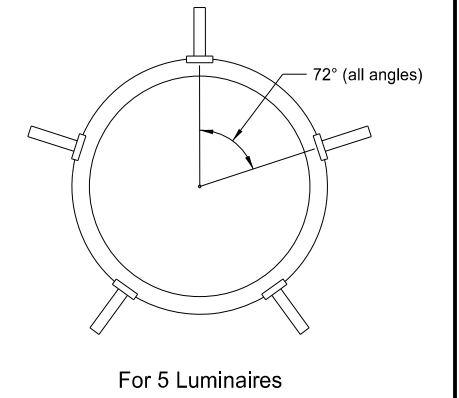
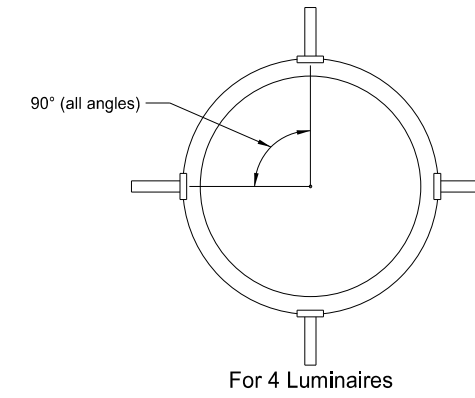
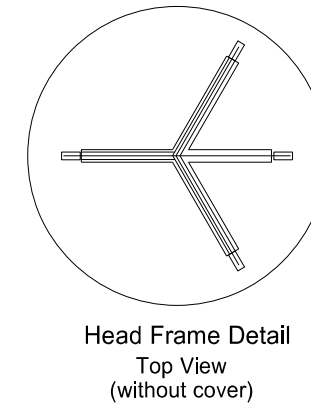
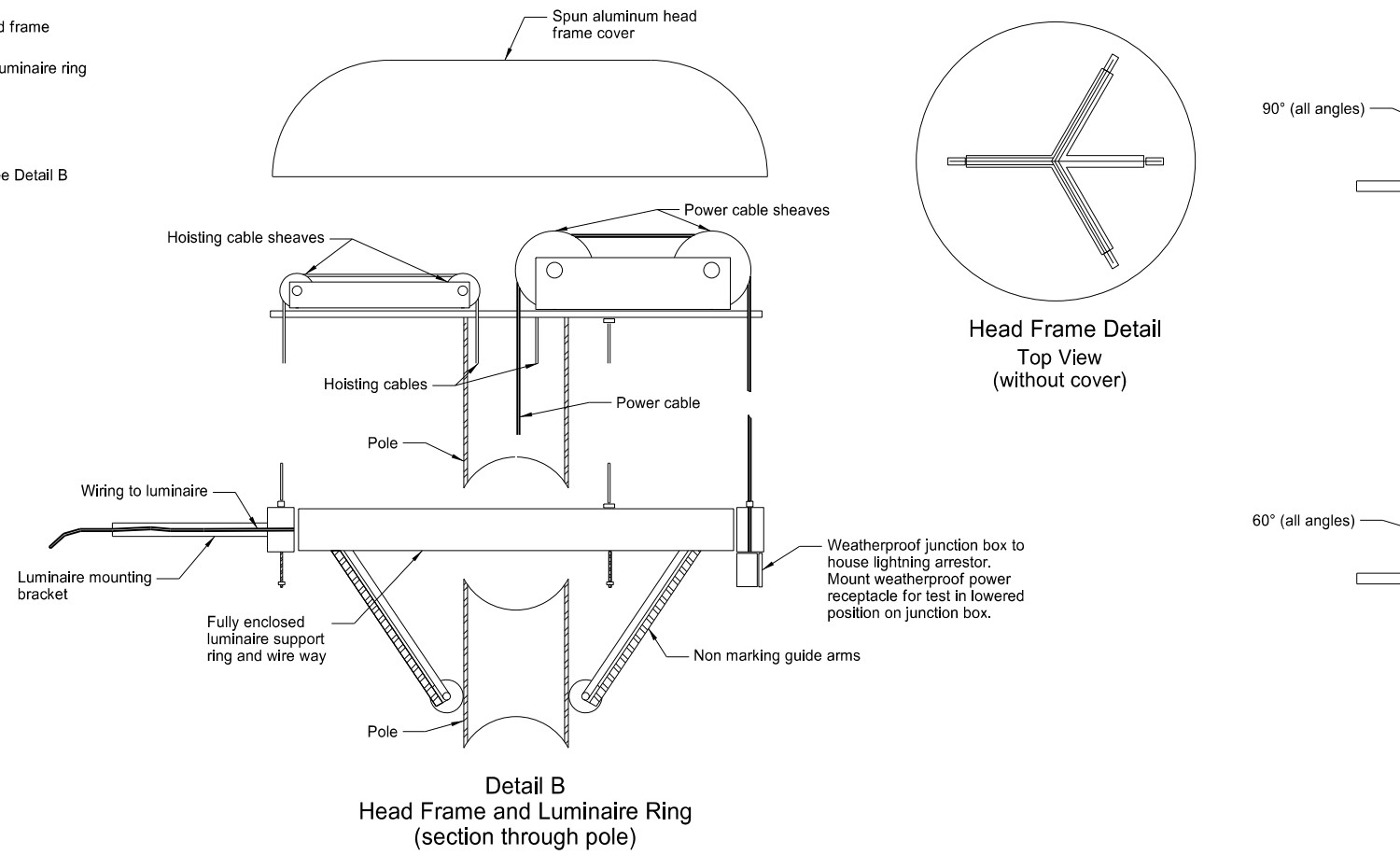
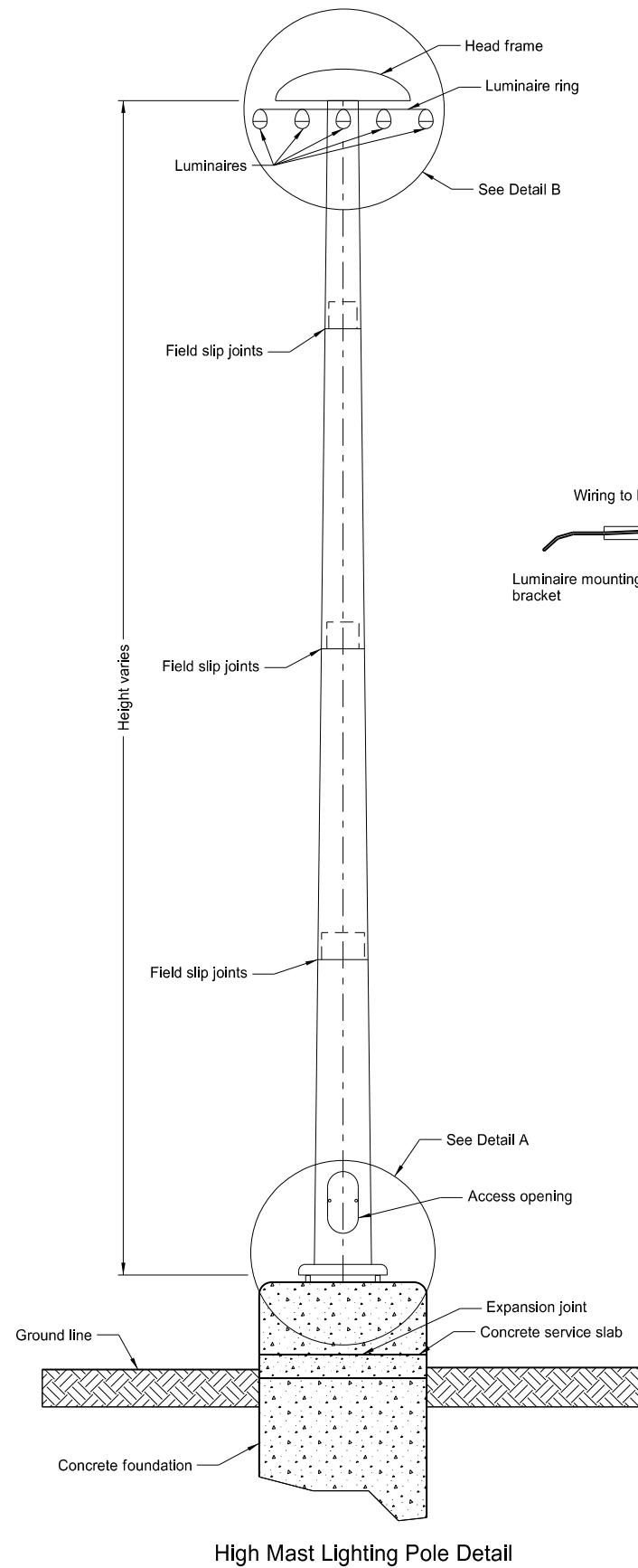
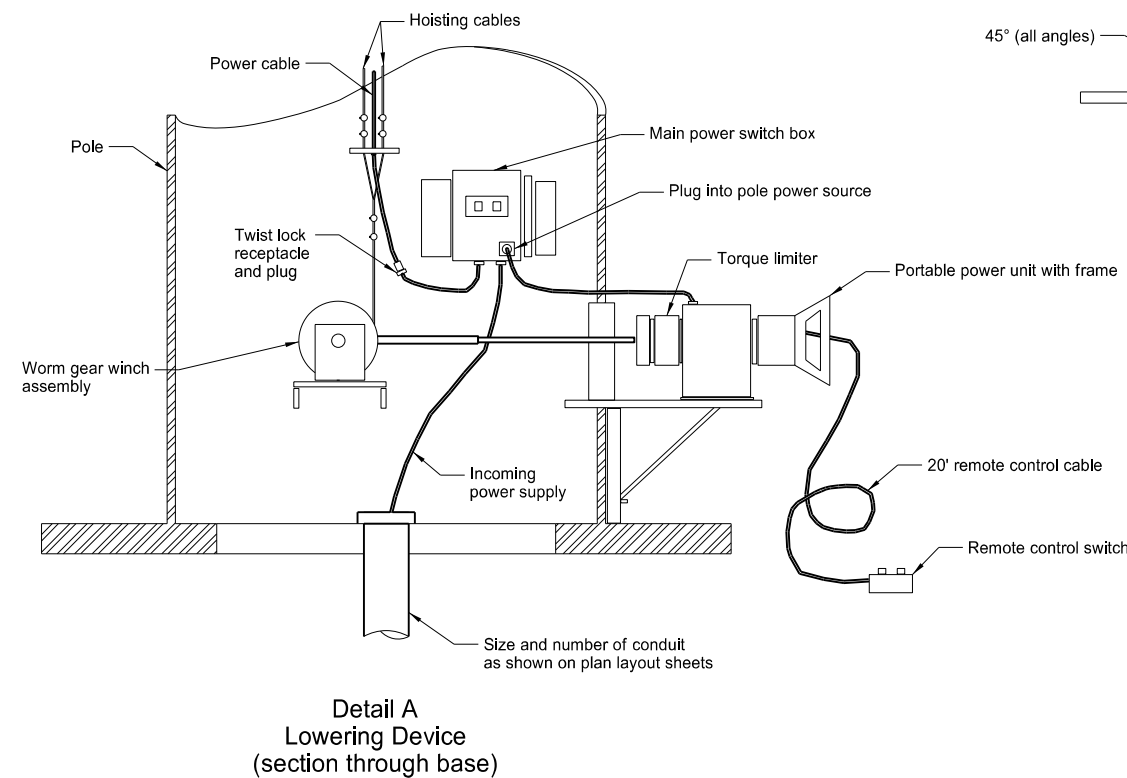


# HIGH MAST LIGHTING

D-770-8



**Luminaire Support Ring Details**



NORTH DAKOTA DEPARTMENT OF TRANSPORTATION	
10-8-13	
REVISIONS	
DATE	CHANGE
10-17-17 8-28-19	Updated to active voice. New Design Engineer PE Stamp.

This document was originally issued and sealed by  
 Kirk J Hoff,  
 Registration Number  
 PE- 4683,  
 on 8/28/19 and the original document is stored at the  
 North Dakota Department  
 of Transportation