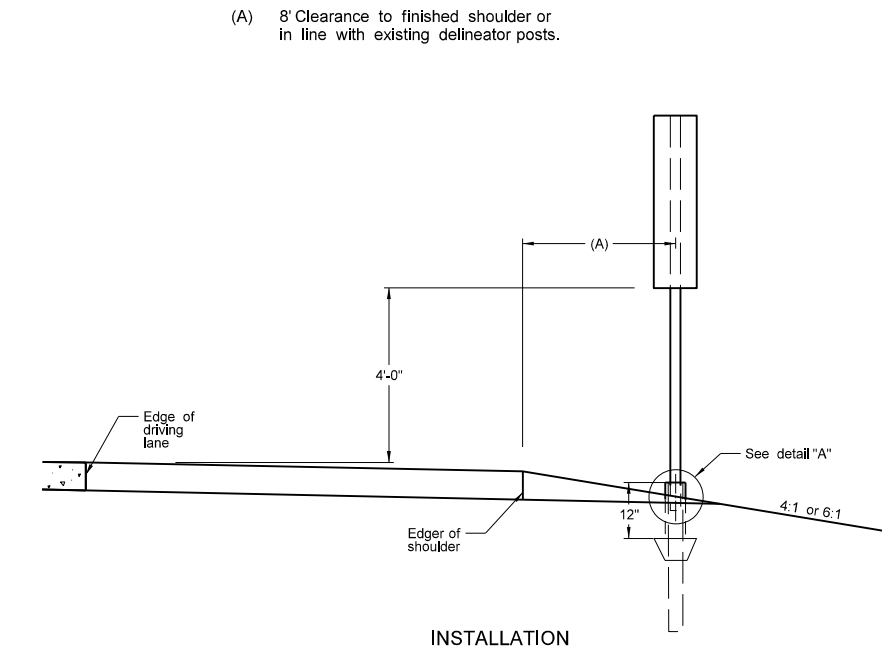
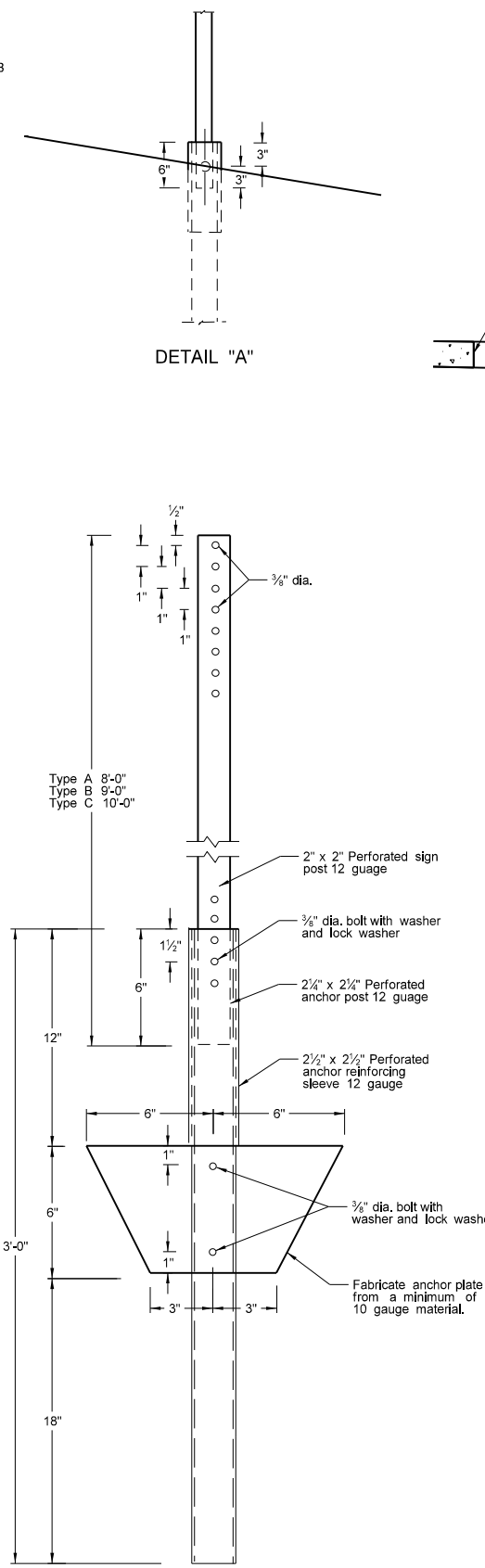
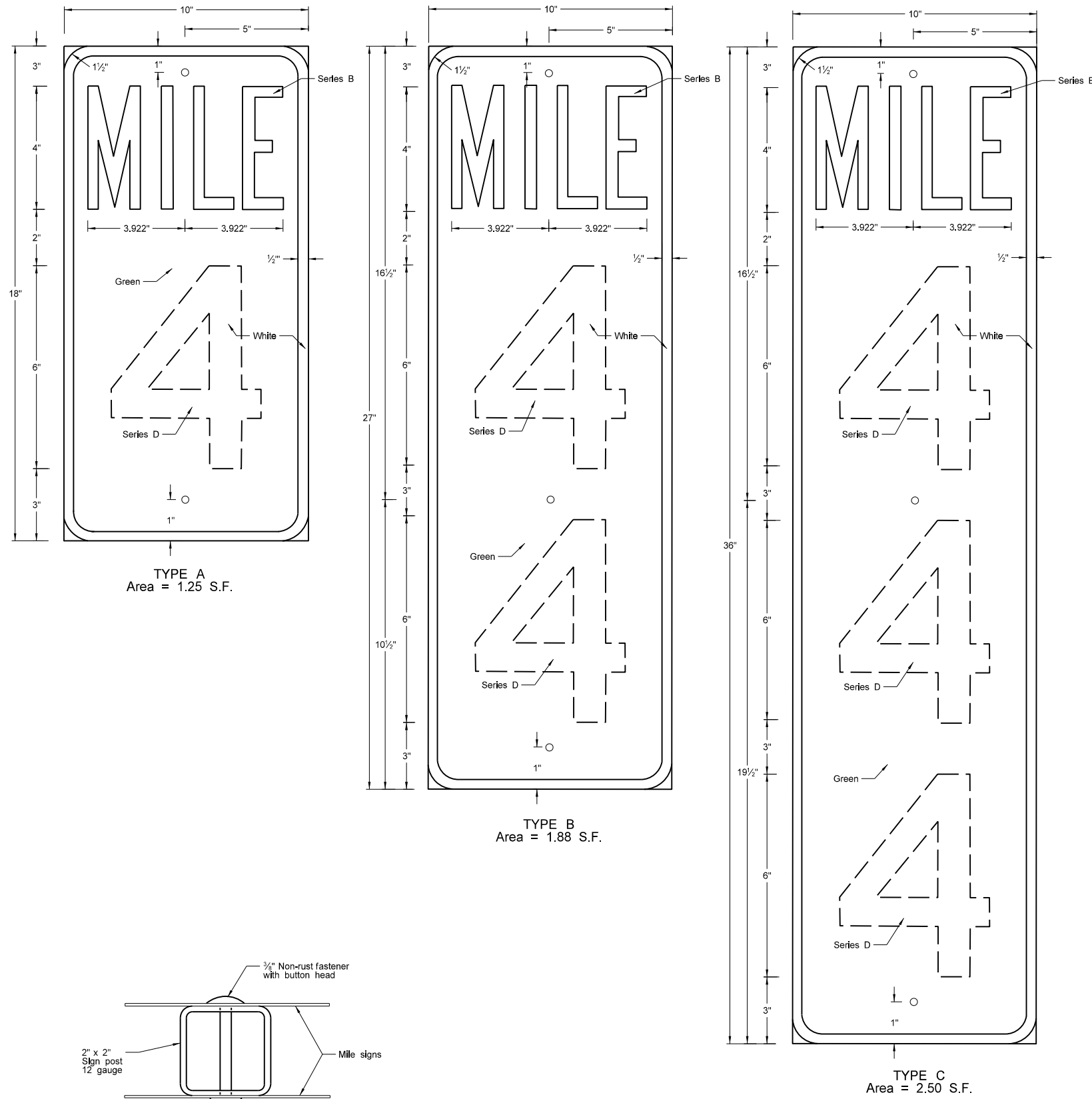
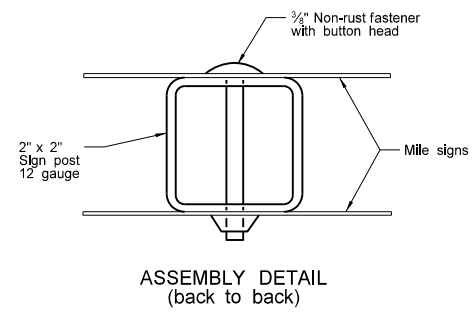


(CONVENTIONAL USE) REFERENCE MARKERS



NOTES:
 Installation: Install posts along right shoulder.
 Sign: Fabricate backing of 0,080 aluminum.
 Fasteners: Attach signs to post with tension pin type fastener or other suitable vandal resistant non-rust fastener.
 Reflective Sheeting: Use Type IV sheeting.
 Numbers: Use screened or applied copy numbers of the series shown.



NORTH DAKOTA DEPARTMENT OF TRANSPORTATION	
12-1-10	
REVISIONS	
DATE	CHANGE
7-8-14	Revised post and reflective sheeting notes
8-30-18	Updated to active voice.
8-29-19	New Design Engineer PE Stamp.

This document was originally issued and sealed by
 Kirk J Hoff,
 Registration Number
 PE-4683,
 on 8/29/19 and the original document is stored at the
 North Dakota Department
 of Transportation