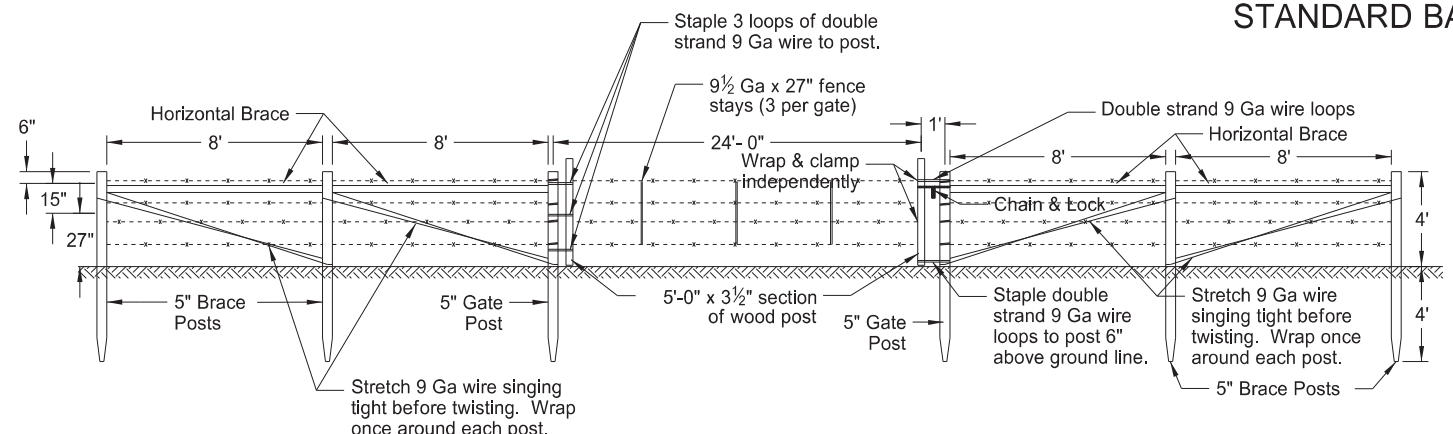
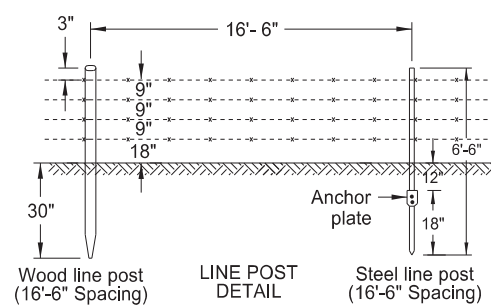
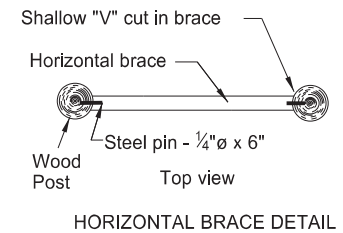


STANDARD BARBED WIRE FENCE

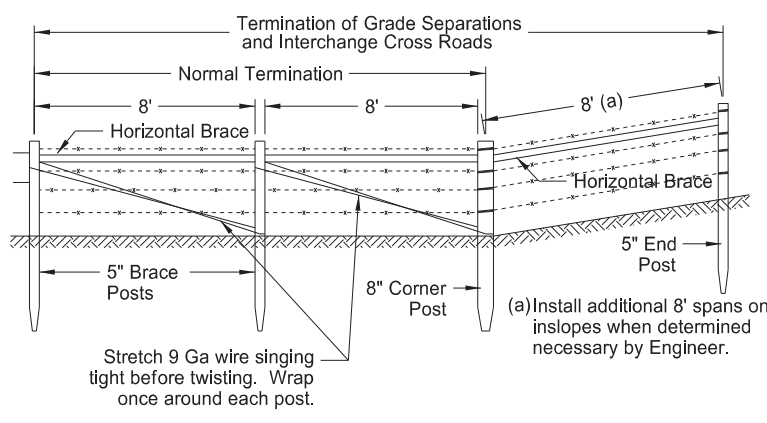


VEHICLE GATE

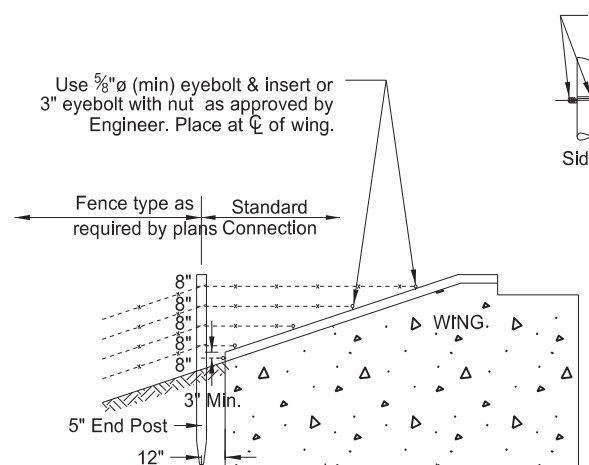


NOTES

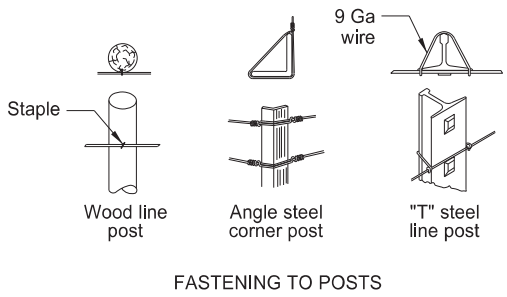
- No deduction in measured pay length of fence made for gates, corner assemblies, double brace assemblies, fence terminals, or depression fencing. Include all costs for abutment fencing in the price bid for fencing bid items.
- Install double brace assemblies at locations shown on the plans or established by the Engineer. Place adjacent fence terminals, corner assemblies, or double brace assemblies at a maximum spacing of 1,320 feet.
- Include all costs of furnishing and installing inserts and eyebolts in the unit price bid for fencing bid items. Use eyebolts galvanized according to AASHTO designation M-30; inserts of corrosion resistant material do not require galvanization. Use concrete inserts capable of developing the full strength of the 5/8" diameter threaded eyebolt, when installed in concrete.
- Determine post type used, either wood or steel, unless otherwise specified in the plans.
- Include the cost of bracing at vehicle gates in the price bid for "Vehicle Gate."



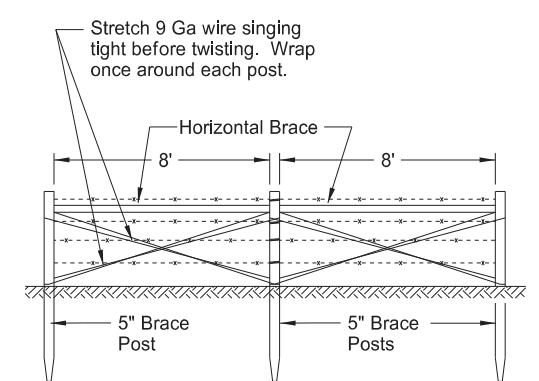
FENCE TERMINAL



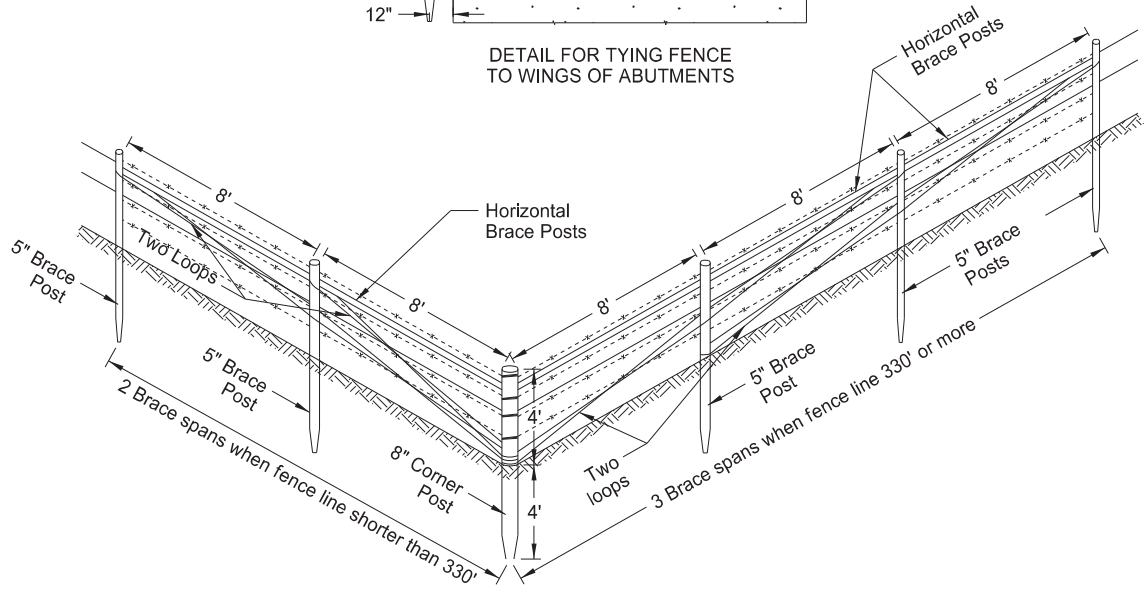
DETAIL FOR TYING FENCE TO WINGS OF ABUTMENTS



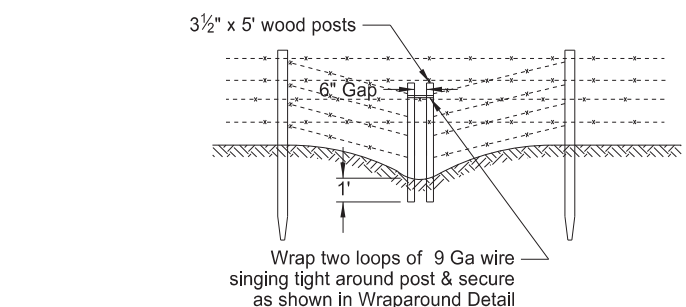
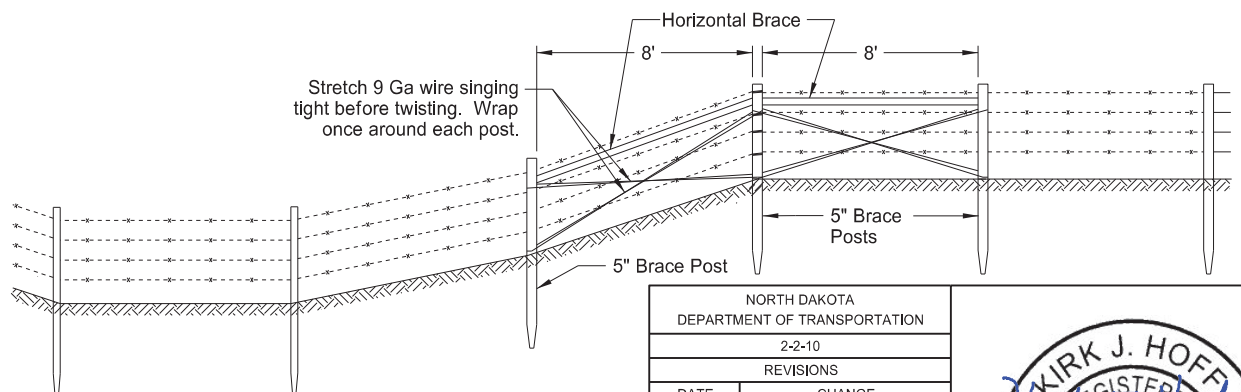
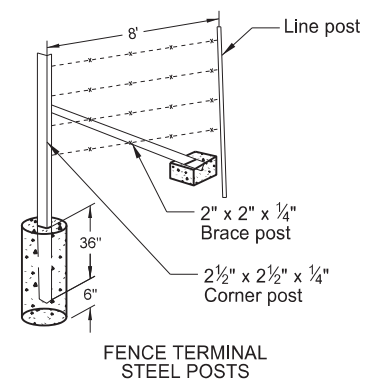
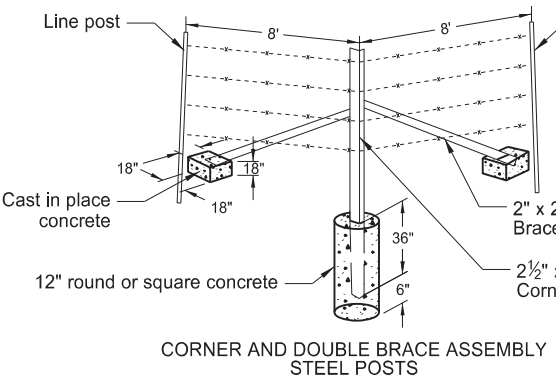
USE OF POST	TREATED WOOD		STEEL		
	Post dia.	Post length	Post length	Post wt. Lbs./Ft.	Anchor wt. Lbs.
Line post	3 1/2"	6'-6"	6'-6"	1.33	0.67
Corner post	8"	8'	7'	4.10	(Conc.)
End post	5"	8'			
Brace post	5"	8'	7'	3.19	(Conc.)
Gate post	5"	8'			
Horizontal brace	4"	8'	As approved by the Engineer		



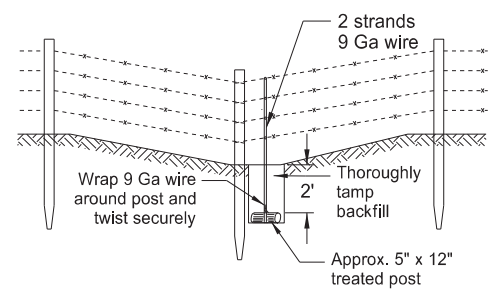
DOUBLE BRACE ASSEMBLY



CORNER ASSEMBLY



BREAK-AWAY FENCE FOR NARROW DEPRESSIONS SUBJECT TO FLOODING



DETAIL FOR ANCHORING FENCES IN DEPRESSIONS*
 *Determine locations in the field and include in price bid for fencing. Use other methods of anchoring fence if approved by the Engineer.

NORTH DAKOTA DEPARTMENT OF TRANSPORTATION	
2-2-10	
REVISIONS	
DATE	CHANGE
10-02-12	Notes, steel assemblies/posts.
11-25-13	Revised Vehicle Gate.
10-17-17	Updated to active voice.
02-23-23	Revised post spacing/brace size.

