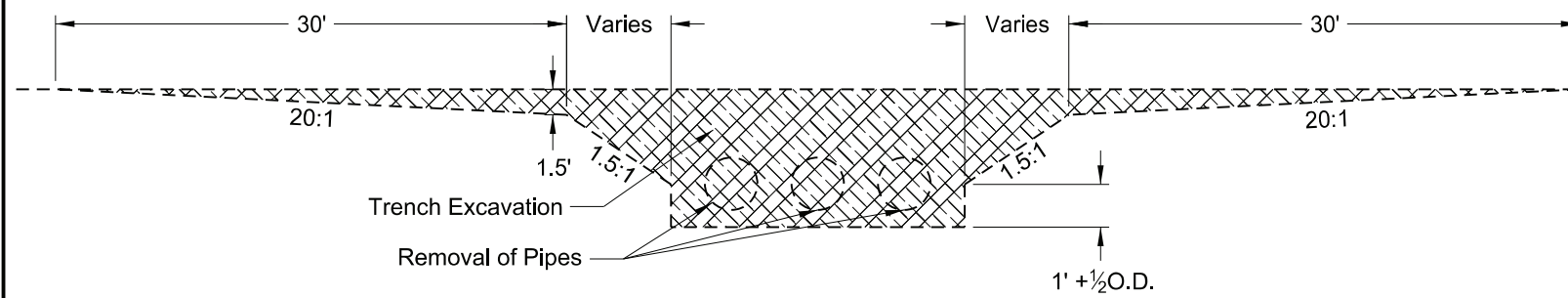


TRANSVERSE MAINLINE PIPE INSTALLATION DETAIL
 MULTIPLE PIPES 4 FEET OR LESS BELOW TOP OF SUBGRADE



EXCAVATION DETAIL

Pay Items

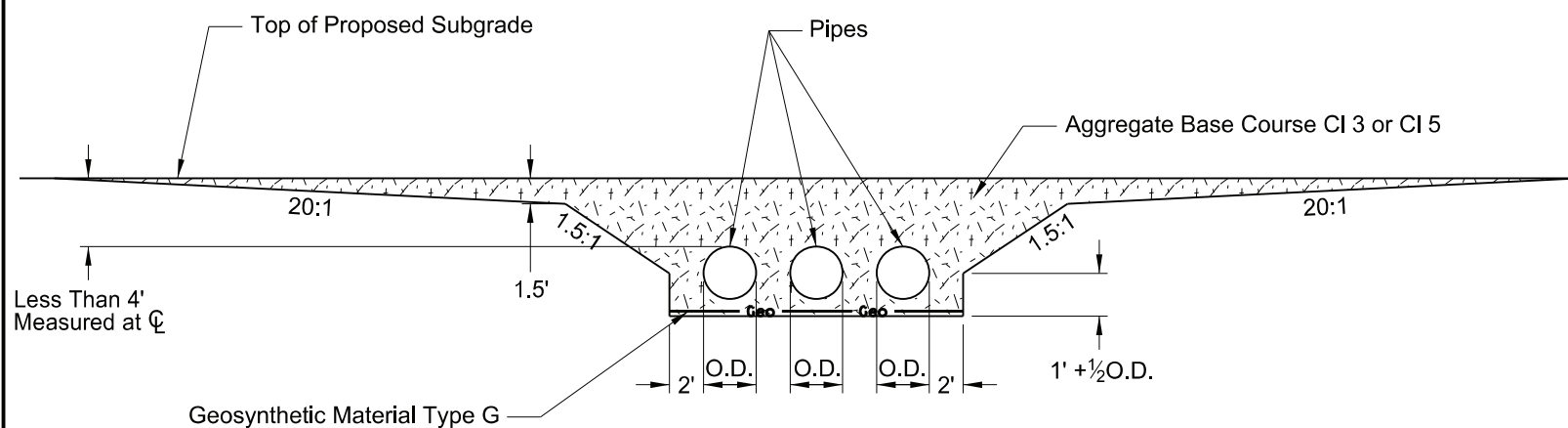
- 1) Pipe*
- 2) Geosynthetic Material Type G
- 3) Removal of Pipe (if required)

*Included in Pipe Pay Item

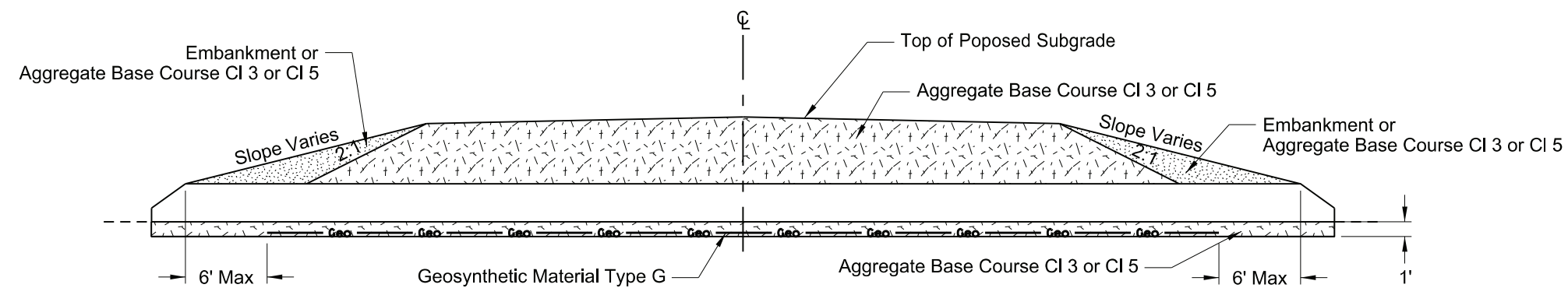
- 1) Pipe
- 2) Trench Excavation
- 3) Aggregate Base Course CI 3 or CI 5
- 4) Embankment

NOTES:

- 1) This drawing applies to new/replaced mainline and paved intersection roadway pipes only (including ramps). It does not include pipes in approaches.
- 2) Embankment may be either Borrow Excavation or Common Excavation - Type A



INSTALLATION DETAIL



CROSS SECTION

NORTH DAKOTA DEPARTMENT OF TRANSPORTATION	
2-4-14	
REVISIONS	
DATE	CHANGE
1-21-15	Nomenclature
9-18-15	Title Rewording
5-27-20	Replaced R1 Fabric with Geogrid Changed bedding depth

