

WORK ZONE BUSINESS SIGN DETAILS

D-704-4

Note:

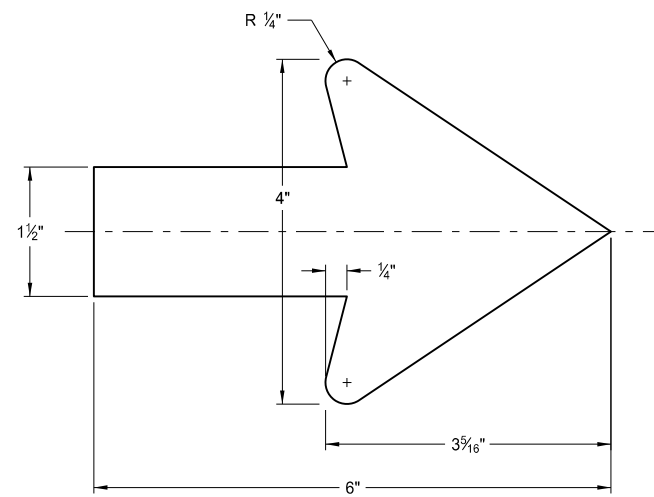
Ground mounted business name sign area is based on a 36"x 24" sign panel. Determine size needed and exact length required to accommodate message. Use maximum 36"x24" sign size. Use 4" Series B 2000 letters. Use blue background color with white legend and border. Post mount sign and position arrow on right or left side of sign as needed.

SIGN NUMBER	Business_#	STATION(S):	AREA: 6.0 Sq.Ft.		
WIDTH X HEIGHT	3'-0" x 2'-0"				
BORDER WIDTH	0.5" (inset 0")				
CORNER RADIUS	1.5"				
MOUNTING	Ground				
BACKGROUND	TYPE: IV Reflective COLOR: Blue				
LEGEND/BORDER	TYPE: IV Reflective COLOR: White				
SYMBOL	X Y WID HT ANGLE				
ND_4IN_TYPE D	2.5 1.5 4 6 90				
ND_4IN_TYPE D	27.5 1.5 4 6 270				

Dimensions are in inches.tenths Letter locations are panel edge to lower left corner

PANEL STYLE: ND_TTC_Business.asd

LETTER POSITION (X)											LENGTH	SIZE	SERIES				
S	T	E	A	K		H	O	U	S	E					23.8	4	B 2000
6.1	8.2	10.2	12.1	14.8	16.6	18.6	21	23.6	26	28.4							
G	A	S		S	T	A	T	I	O	N					22.2	4	B 2000
6.9	9	11.5	13.2	15.2	17.3	19	21.4	23.5	24.8	27.4							
C	A	F	E												8.5	4	B 2000
13.8	15.9	18.6	20.7														



NORTH DAKOTA DEPARTMENT OF TRANSPORTATION	
9-25-12	
REVISIONS	
DATE	CHANGE
7-18-14	Revised sheeting to type IV
8-17-17	Revised font & arrow detail
10-03-19	New Design Engineer PE Stamp

This document was originally issued and sealed by
Kirk J Hoff,
 Registration Number
PE- 4683,
 on 10/03/19 and the original document is stored at the
 North Dakota Department
 of Transportation